



Dice Tray

Assembly Instructions

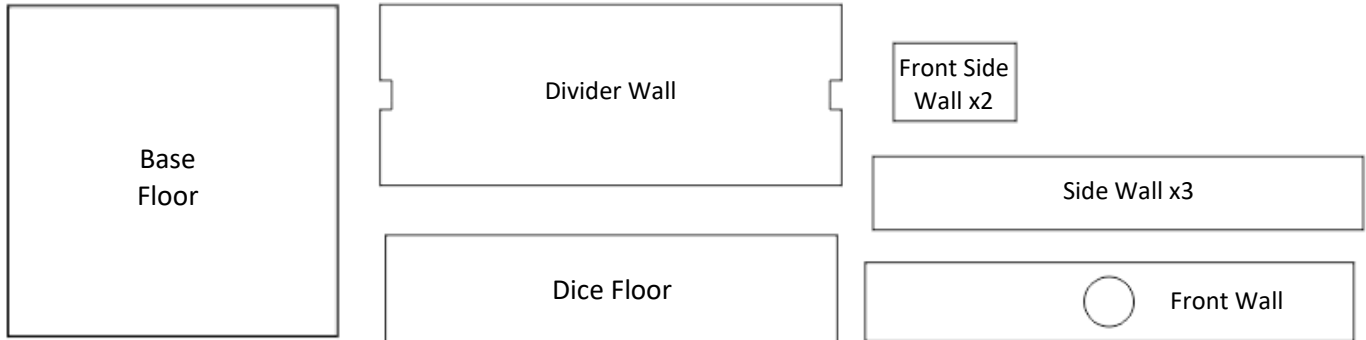


**** This product is intended to be assembled using wood glue to ensure its durability and longevity. Wood glue is only needed when connecting the wood pieces, it is not needed to apply the velvet.****

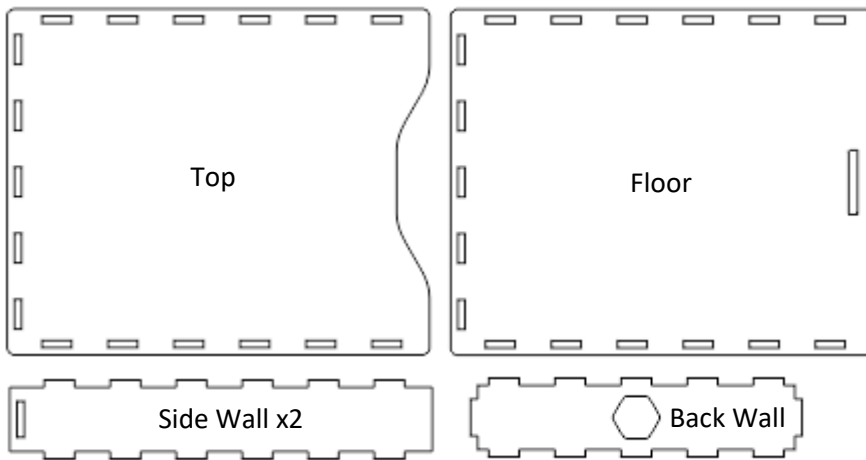
Step 1:

Separate pieces into their respective piles.

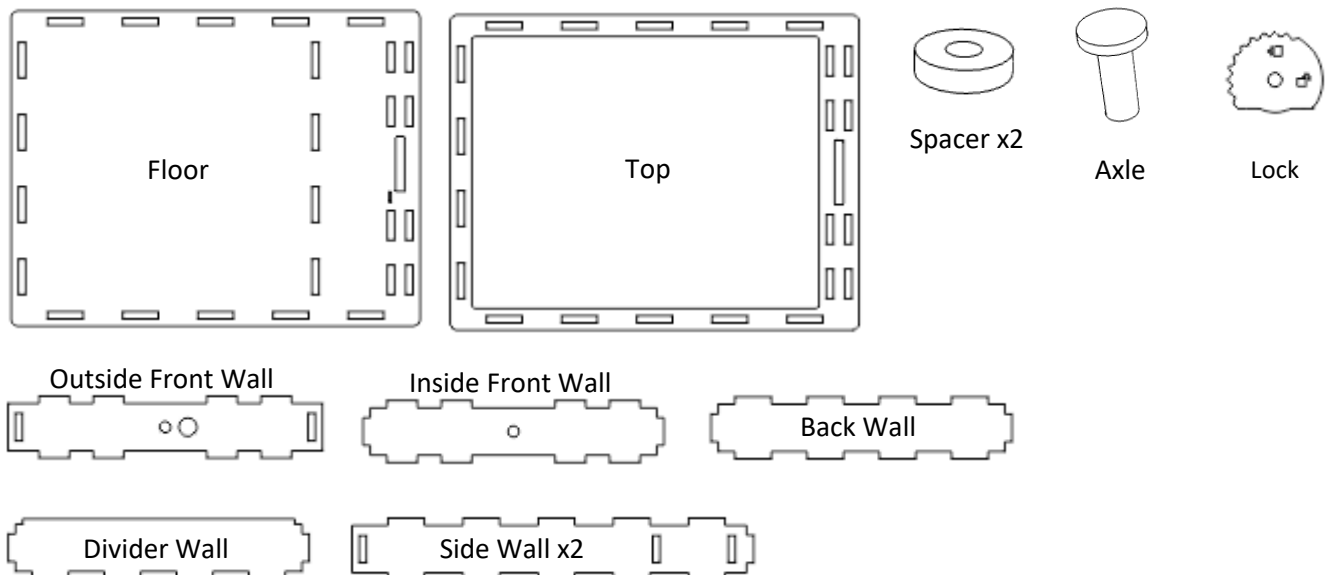
Velvet:



Outside Box:

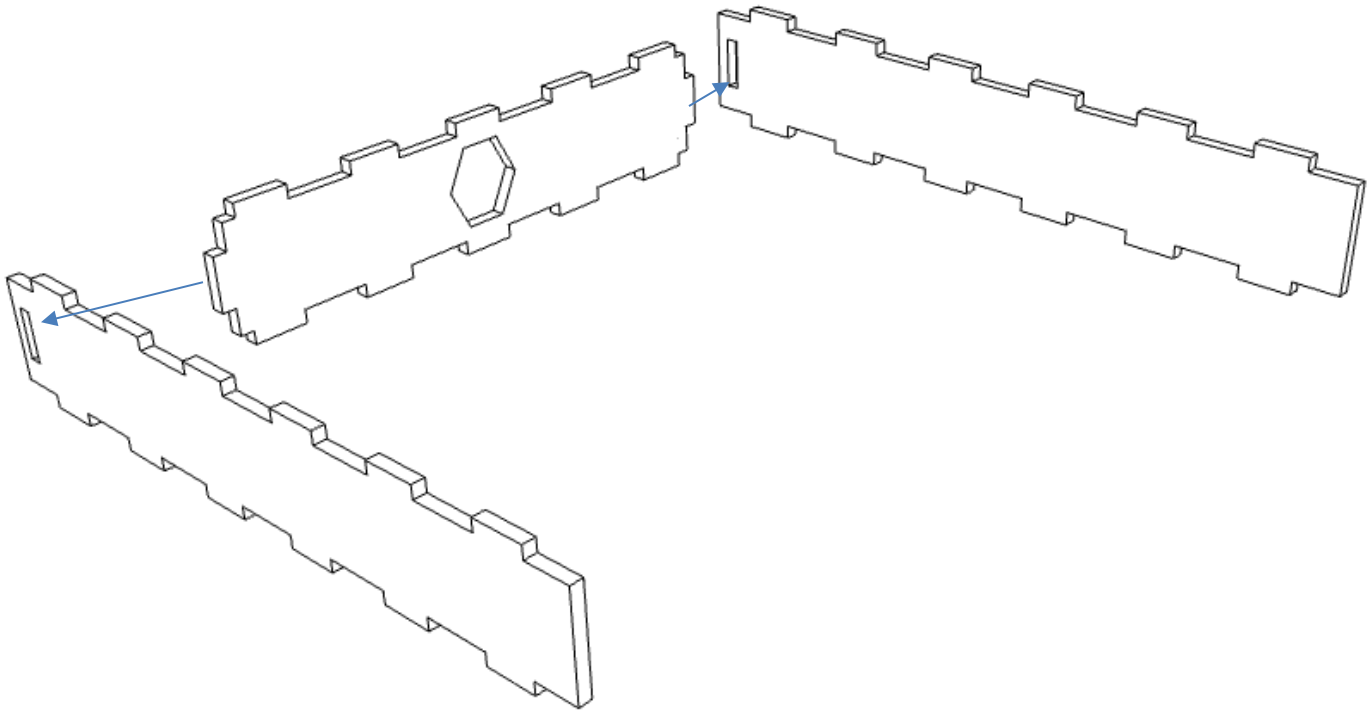


Tray:



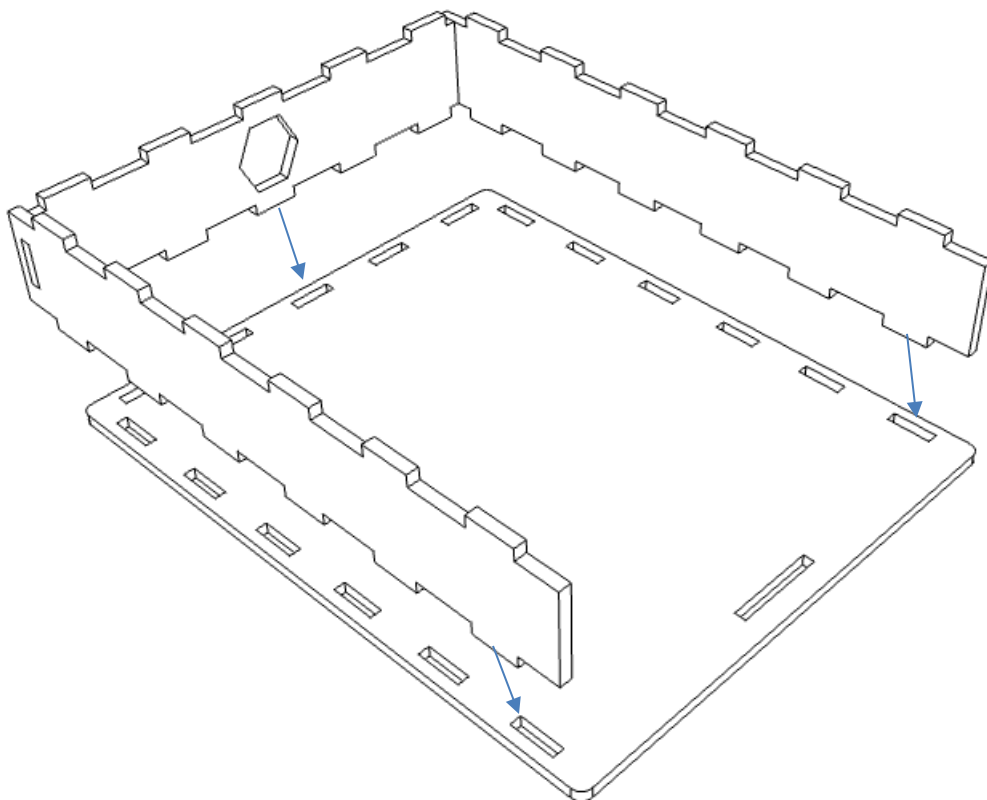
Step 2 (Outside Box pieces):

Attach the two Side Wall pieces to the Back Wall piece, making note they are facing the correct way as shown.



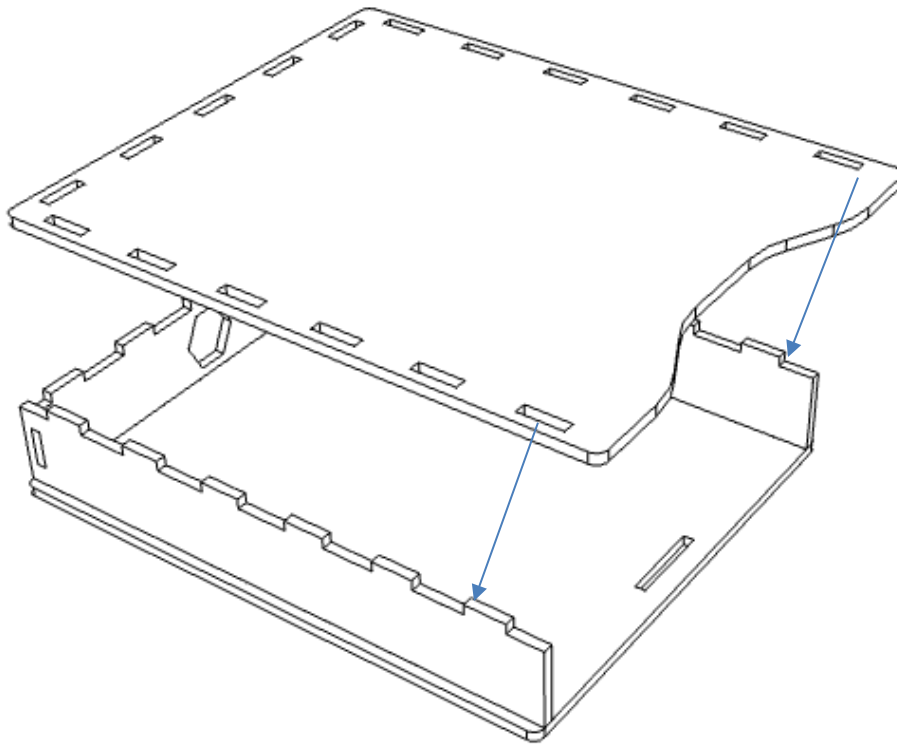
Step 3 (Outside Box pieces):

Attach the Side Wall and Back Wall pieces assembled in Step 2 to the Floor piece, making note it is facing the correct way as shown.



Step 4 (Outside Box pieces):

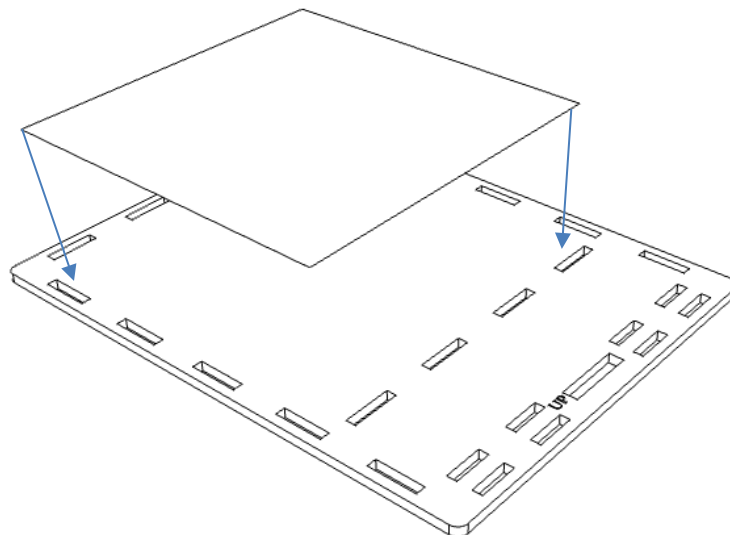
Attach the Top piece to the Side Wall and Back Wall pieces as shown. If you have an etch, make sure the etch on the Top piece is facing up.



Note for applying Velvet for Steps 5-10 – Once you peel off the brown layer that covers the adhesive side, ensure you place directly onto the wood and not back onto the brown layer to apply later, the velvet will form a strong hold with the material it is applied to. Refer to assembly video for more tips on applying the velvet if needed.

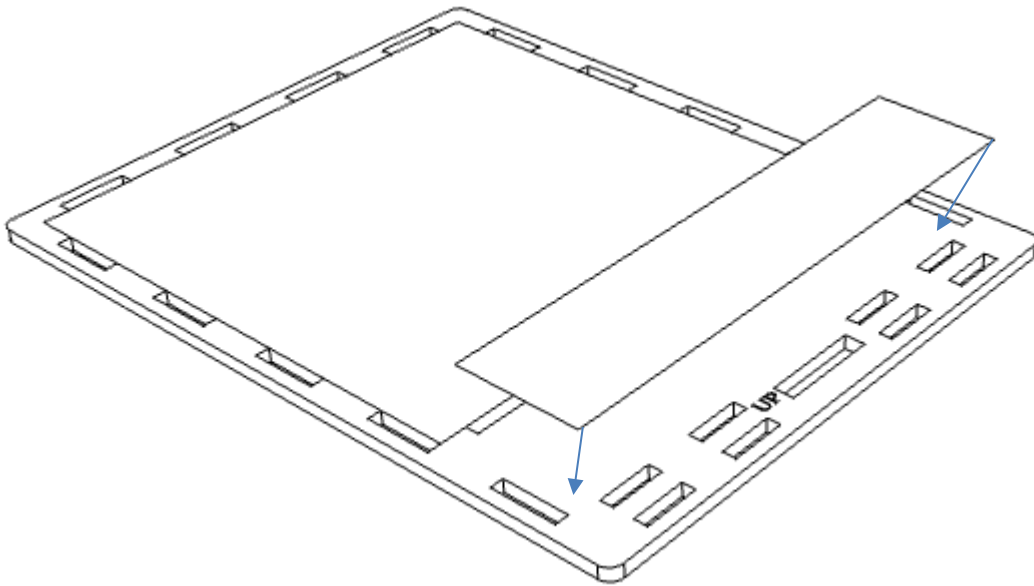
Step 5 (Velvet & Tray pieces):

Attach the Velvet Base Floor piece to the Tray Floor piece as shown, using the holes as a guide when placing on Base Floor piece. Peel off the brown layer that covers the adhesives side of the velvet. Note the Base Floor piece is a perfect square, so any direction will fit onto the Tray Floor piece.



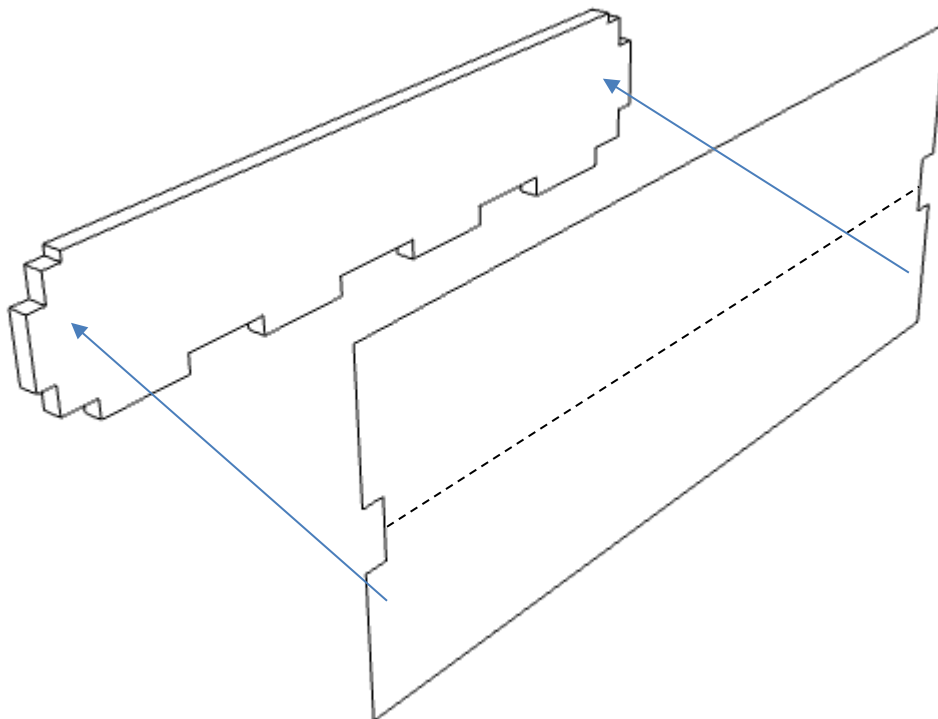
Step 6 (Velvet & Dice Tower pieces):

Attach the Velvet Dice Floor piece to the Tray Floor piece as shown.



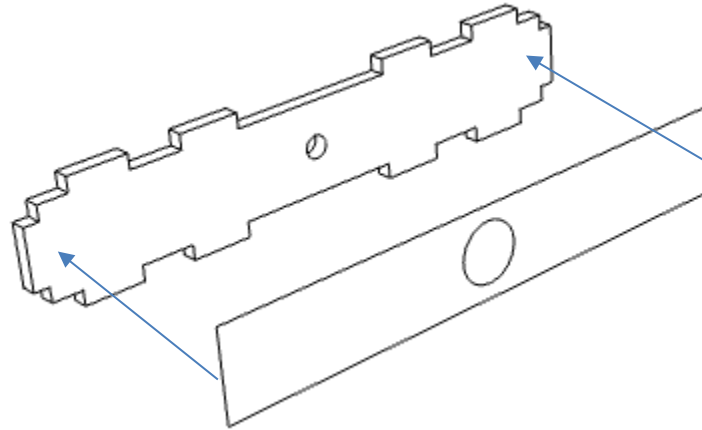
Step 7 (Velvet & Dice Tower pieces):

Attach the Velvet Divider Wall piece to the Tray Divider Wall piece as shown. Fold the Velvet Divider Wall piece in the middle (see dotted line below) when placing over the Tray Divider Wall piece.



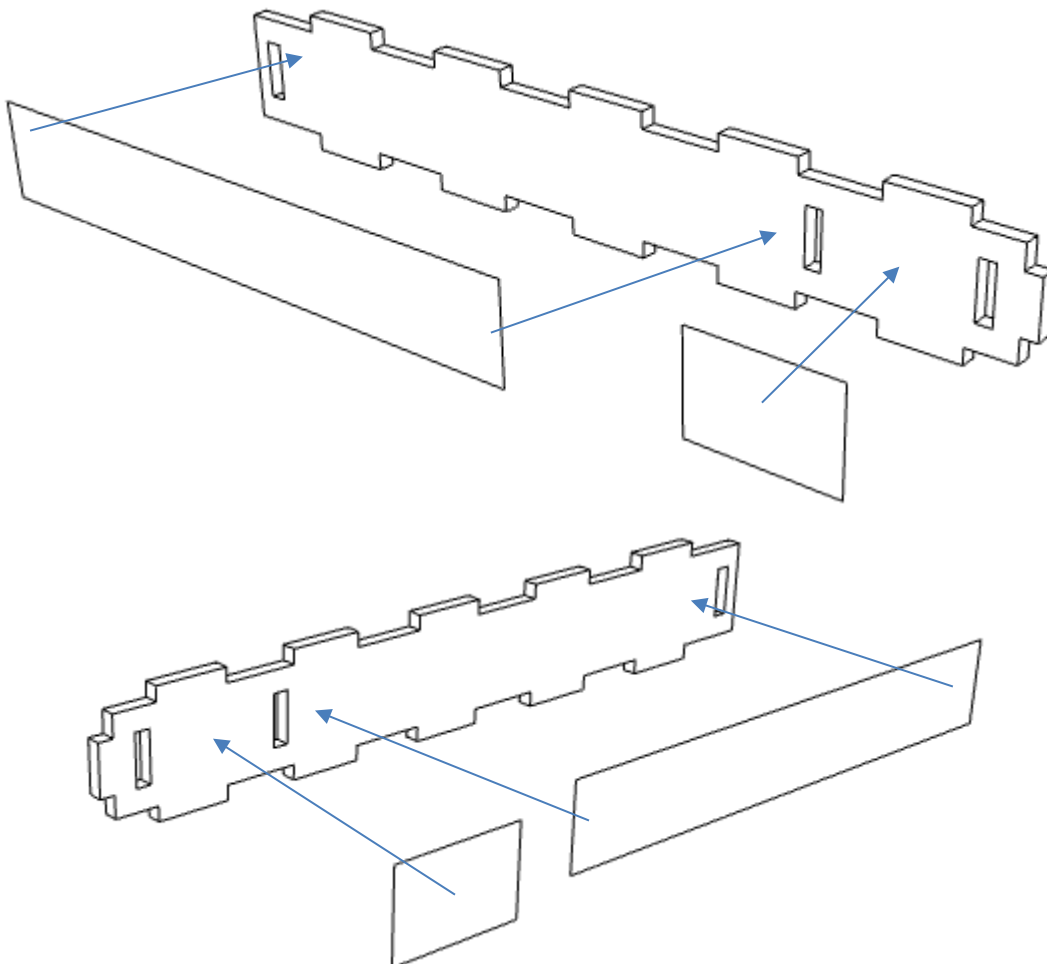
Step 8 (Velvet & Dice Tower pieces):

Attach the Velvet Front Wall piece to the Tray Inside Front Wall piece as shown.



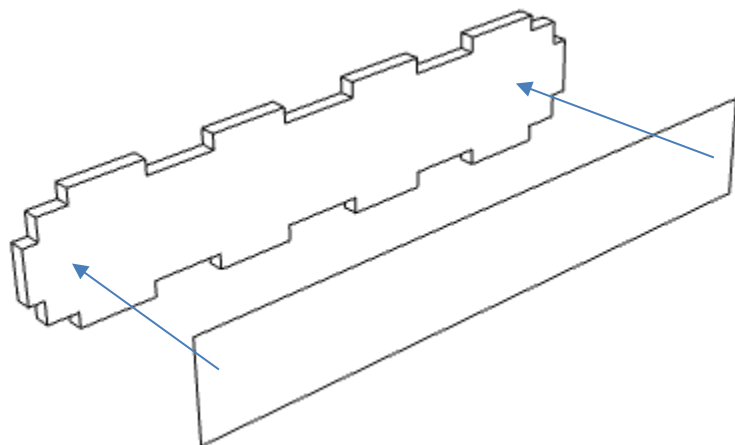
Step 9 (Velvet & Dice Tower pieces):

Attach the Velvet Side Wall and Front Side Wall pieces to the Tray Side Wall pieces as shown.



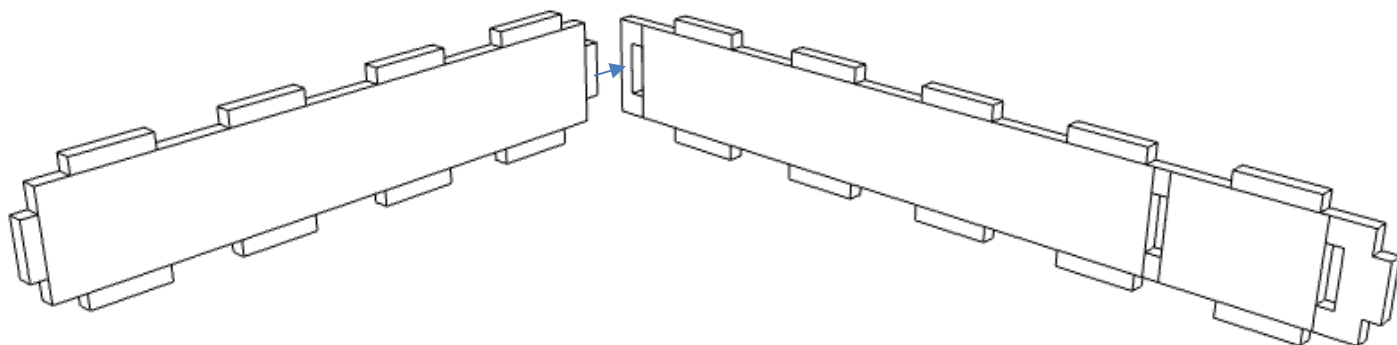
Step 10 (Velvet & Dice Tower pieces):

Attach the remaining Velvet Side Wall piece to the Tray Back Wall piece as shown.



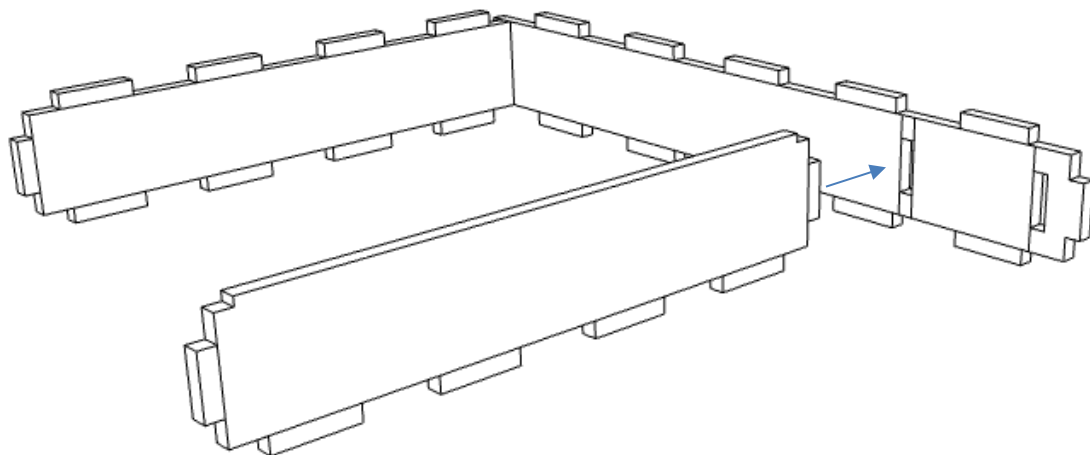
Step 11 (Tray pieces):

Attach the Back Wall to one of the Side Wall pieces, making note they are facing the correct way as shown with the Velvet on the inside.



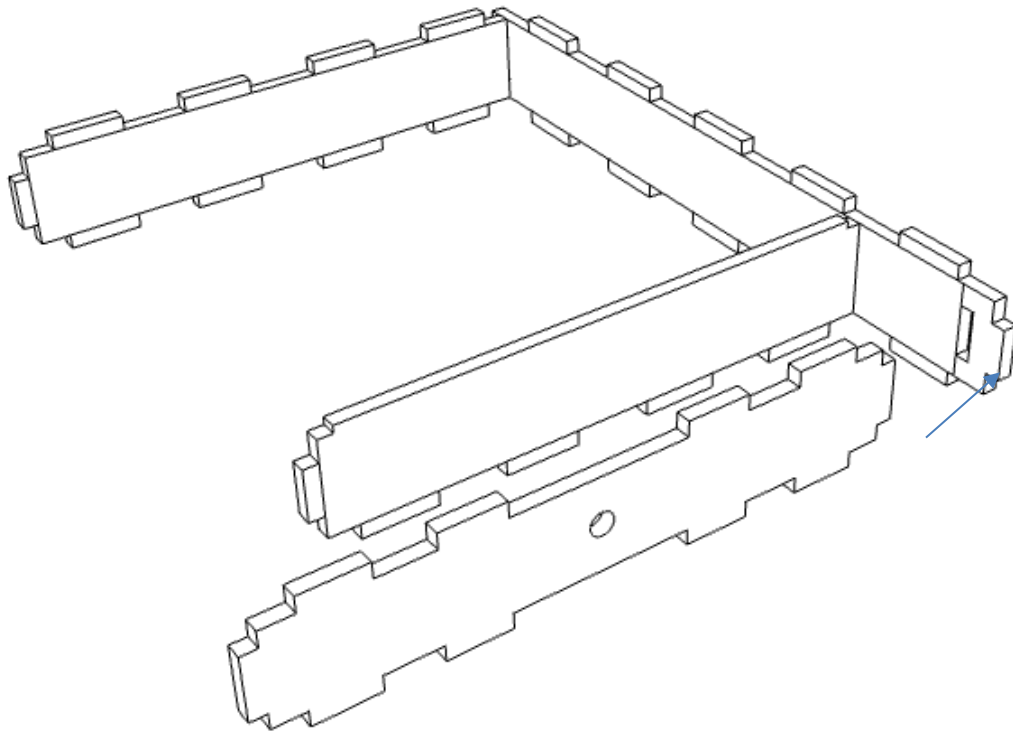
Step 12 (Tray pieces):

Attach the Divider Wall piece to the Side Wall piece, making note it is facing the correct way as shown.



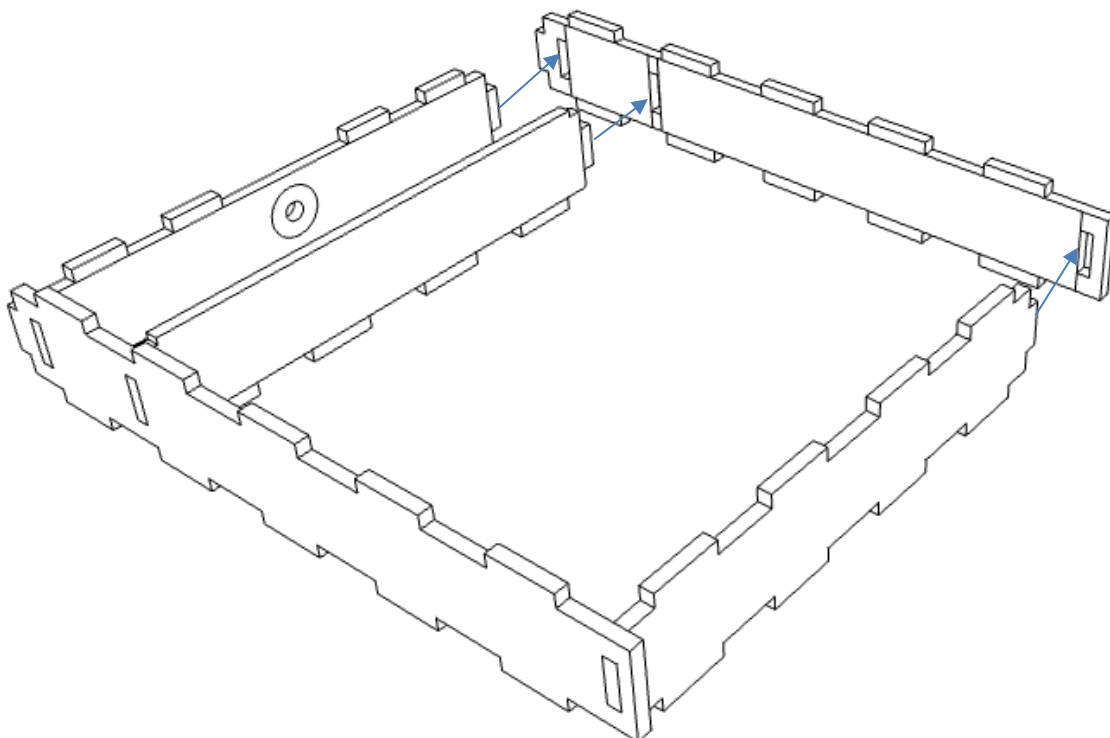
Step 13 (Tray pieces):

Attach the Inside Front Wall piece to the Side Wall piece as shown. Note the Velvet on the Inside Front Wall piece will be facing the Divider Wall piece, towards the inside of the Tray.



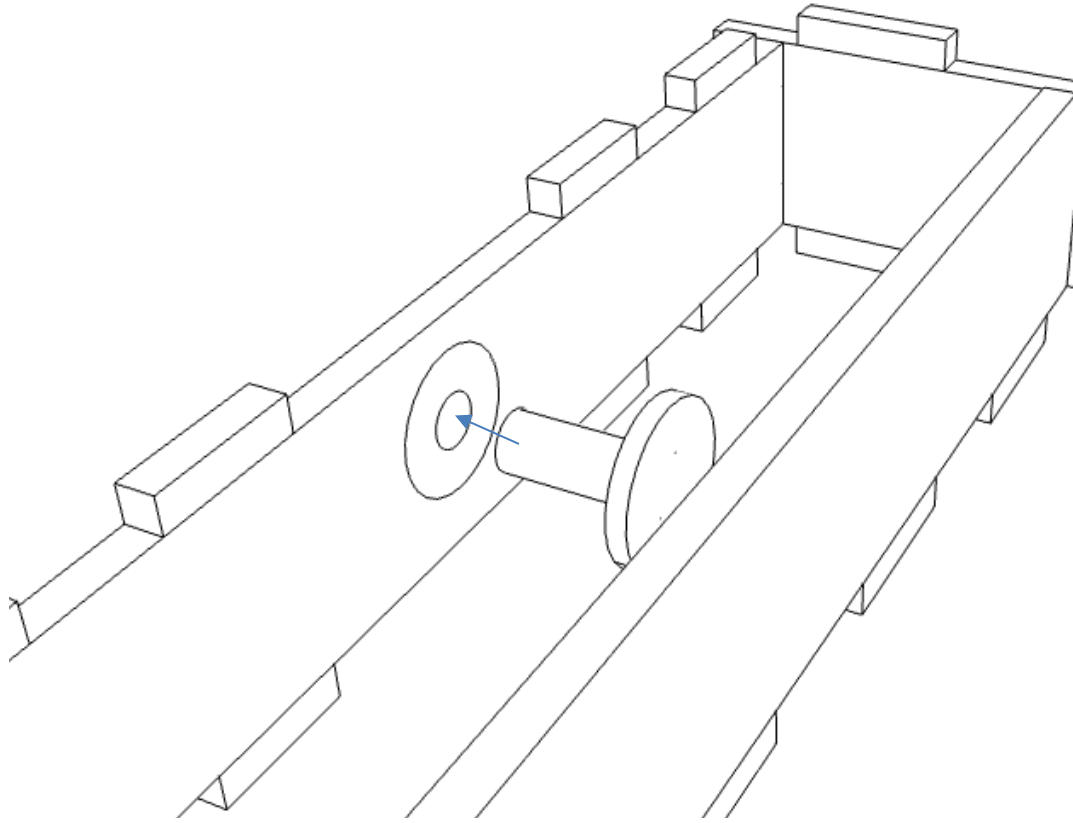
Step 14 (Tray pieces):

Attach the Inside Front Wall, Divider and Back Wall pieces assembled in Steps 11-13 to the other Side Wall piece as shown.



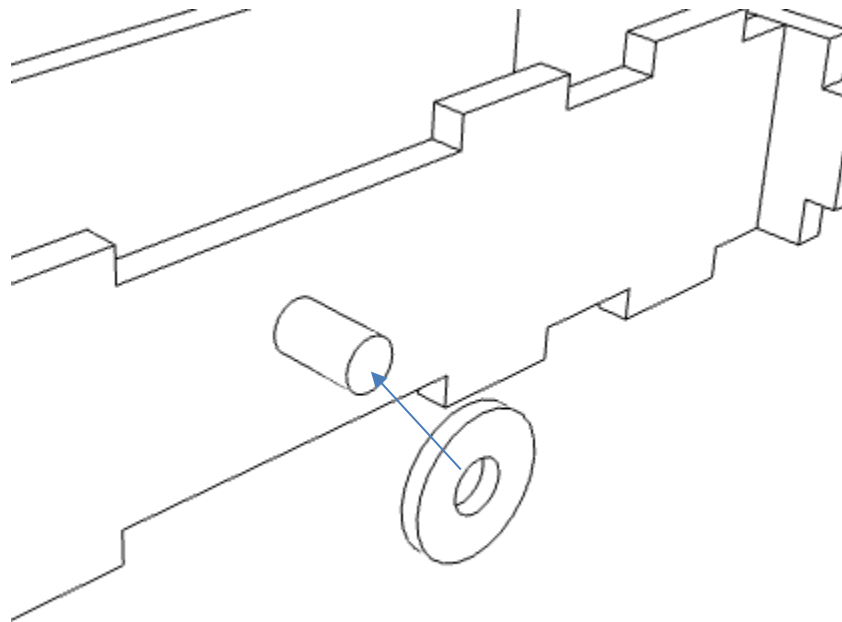
Step 15 (Tray pieces):

Slide the Axle piece through the hole in the Inside Front Wall on the side with the Velvet as shown.



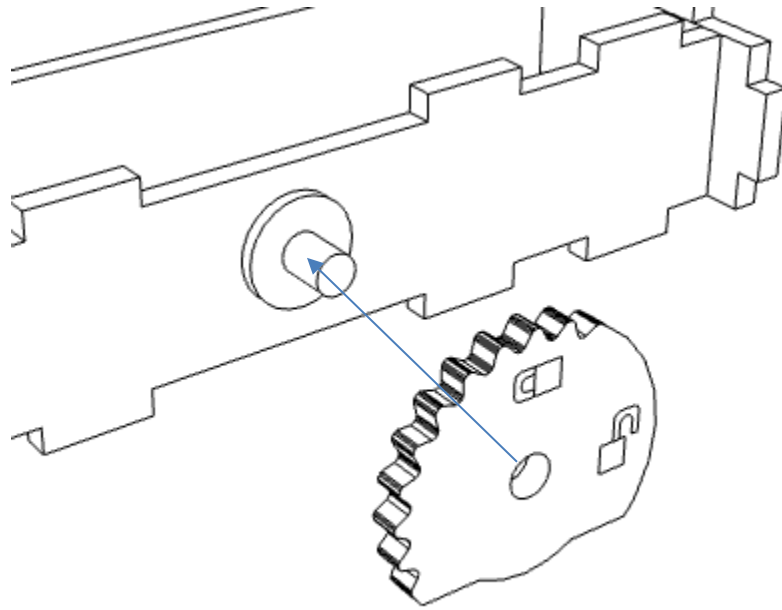
Step 16 (Tray pieces):

Slide one of the Spacer pieces along the Axle piece until it is next to the Inside Front Wall piece as shown.



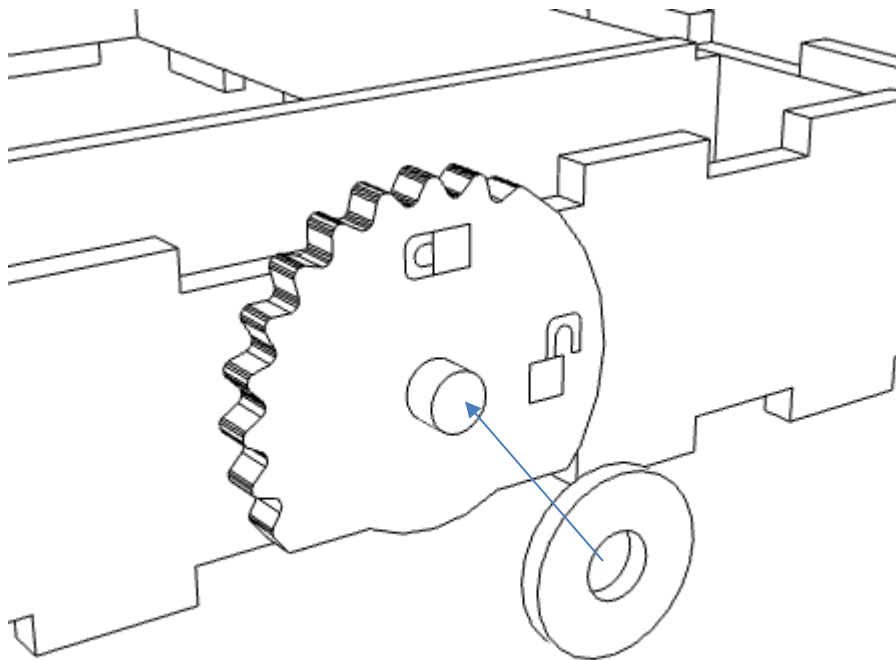
Step 17 (Tray pieces):

Slide the Lock piece along the Axle piece until it is next to the Spacer piece, making note it is facing the correct way as shown with the lock images facing outside, and the notches on the top side.



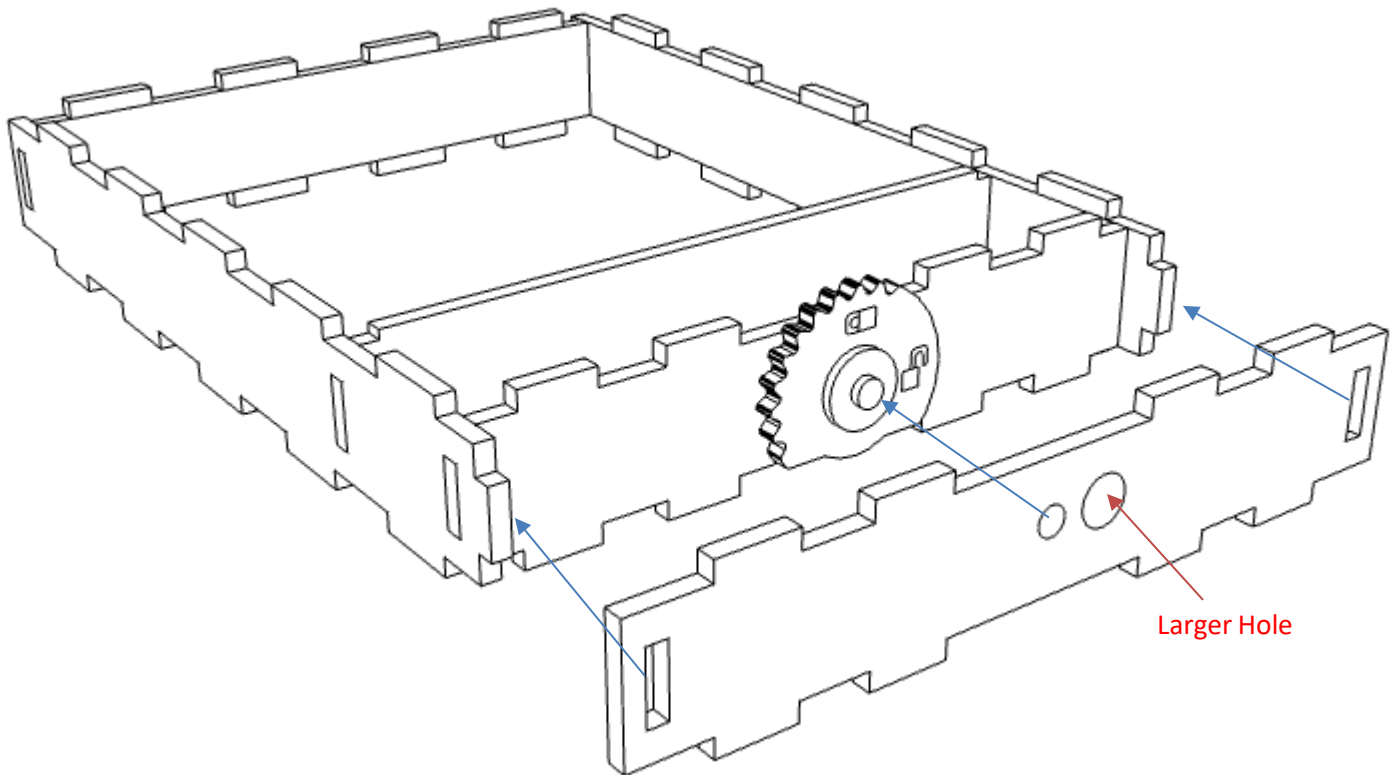
Step 18 (Tray pieces):

Slide the remaining Spacer piece along the Axle piece until it is next to the Lock piece as shown.



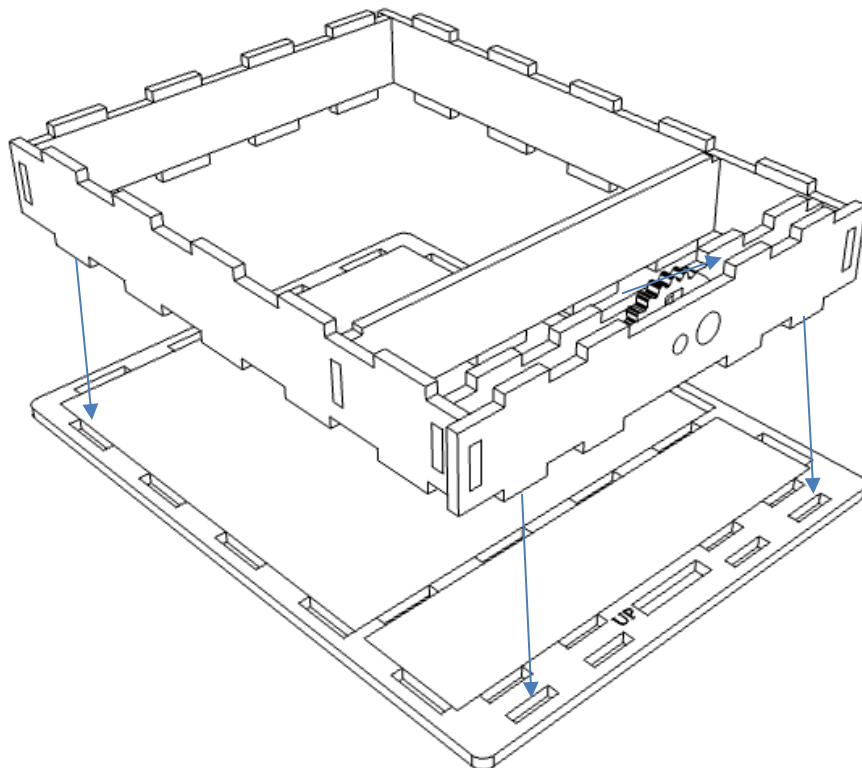
Step 19 (Tray pieces):

Attach the Outside Front Wall piece to the Side Wall and Axle pieces, making note it is facing the correct way as shown.



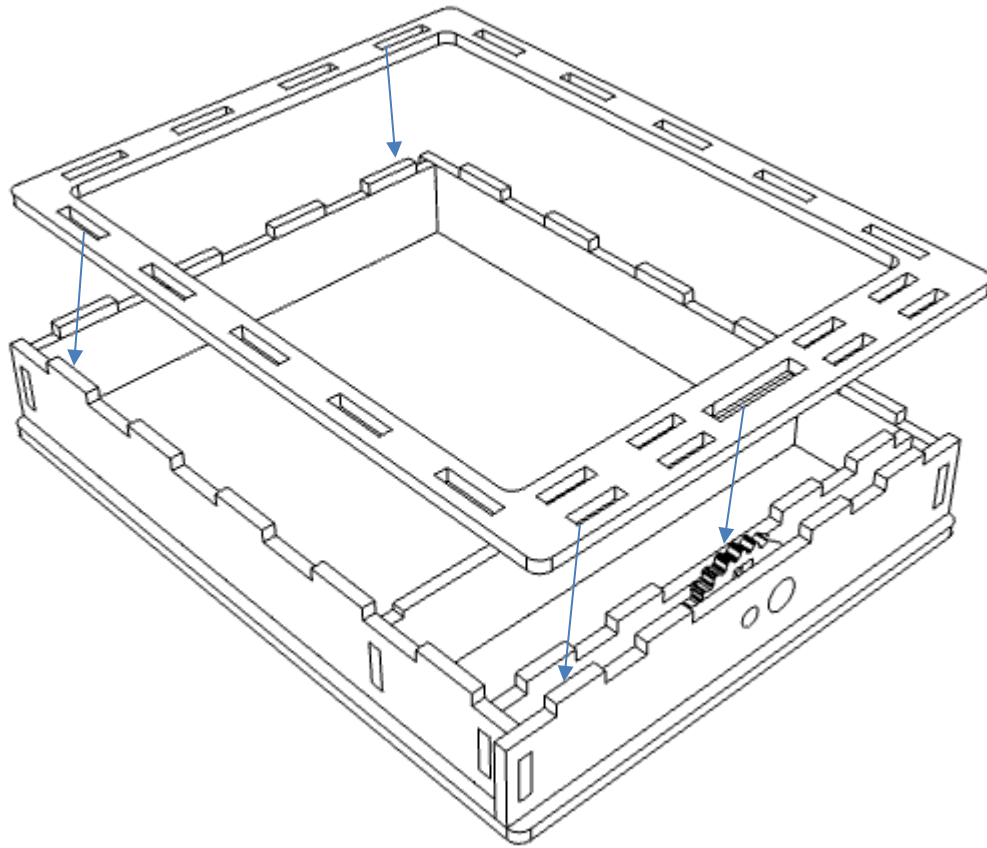
Step 20 (Tray pieces):

Attach the Side Walls, Inside Front Wall, Outside Front Wall, Divider Wall and Back Wall to the Floor piece, making note they are facing the correct way as shown with the Velvet on the Floor piece facing up.



Step 21 (Tray pieces):

Gently attach the Top piece to the Side Walls, Inside Front Wall, Outside Front Wall and Back Wall pieces, making note they are facing the correct way as shown



Follow us on Instagram and Facebook
[@mysandboxgaming](#)

Use the following link to watch assembly video:
www.mysandboxgaming.com/assembly-instructions



www.mysandboxgaming.com