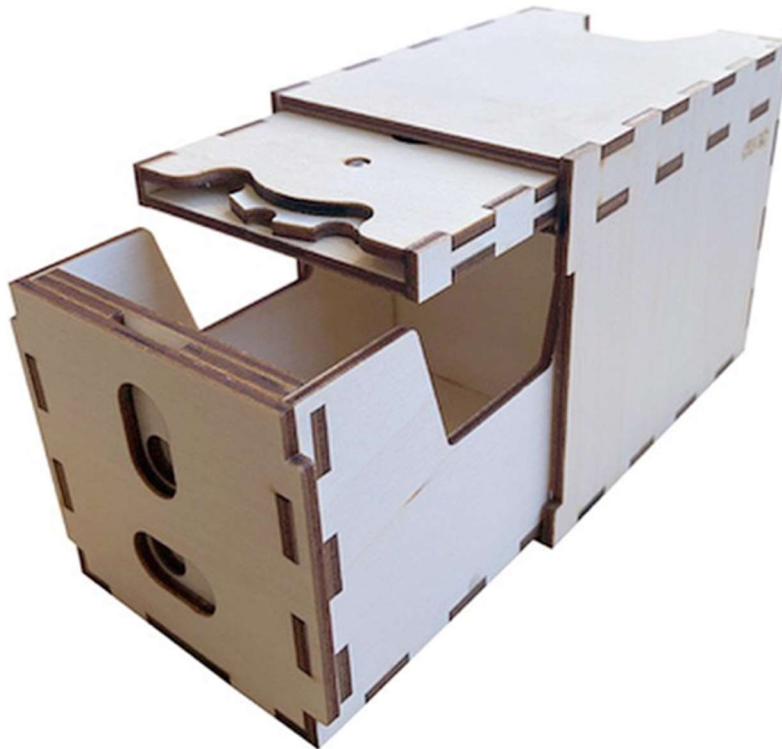




Deck Box with Removable Life Counter
Assembly Instructions

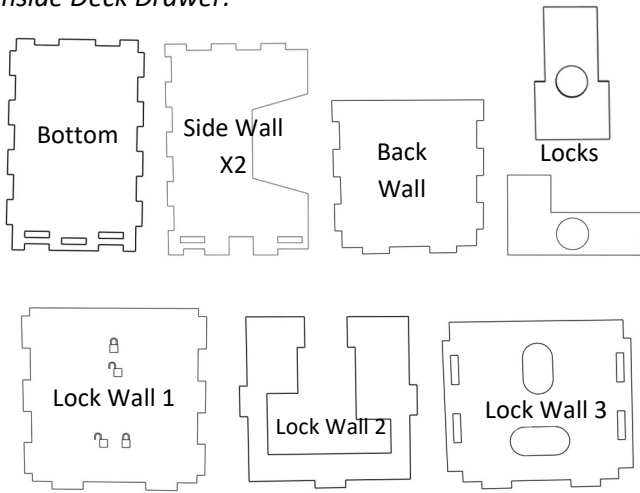


***This product is intended to be assembled using wood glue to ensure its durability and longevity.*

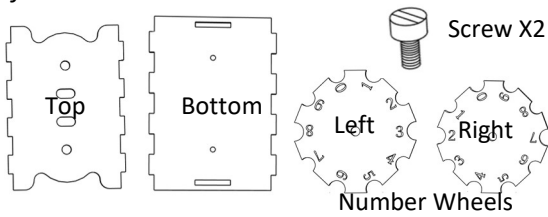
Step 1:

Separate pieces into their respective piles.

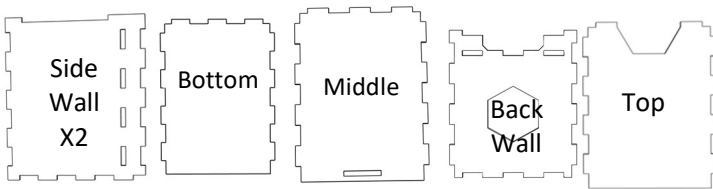
Inside Deck Drawer:



Life Counter:



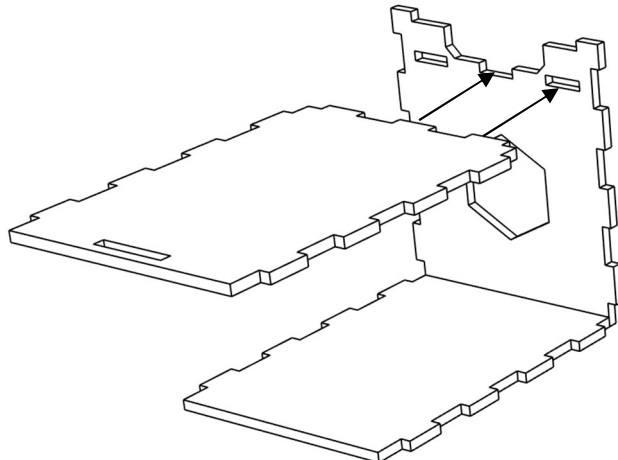
Outside Box:



Outside Box Instructions

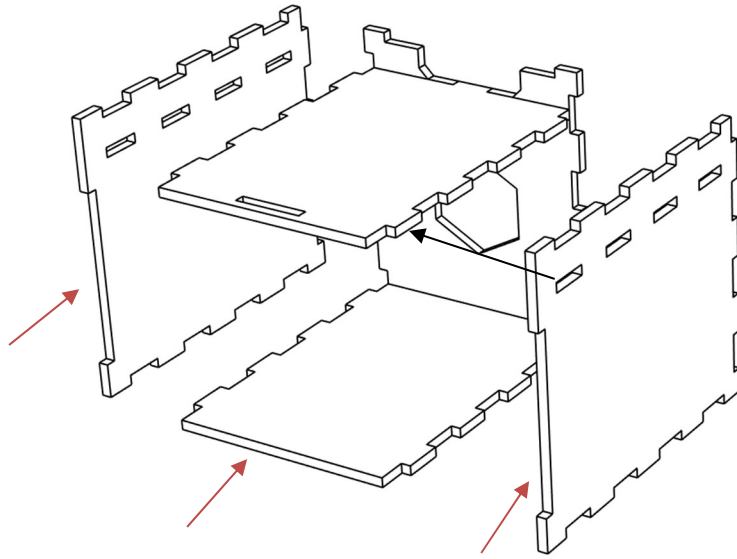
Step 2 (Outside Box Pieces):

Attach the Back Wall piece to the Bottom piece. Then attach the Middle piece to the Back Wall piece as shown.



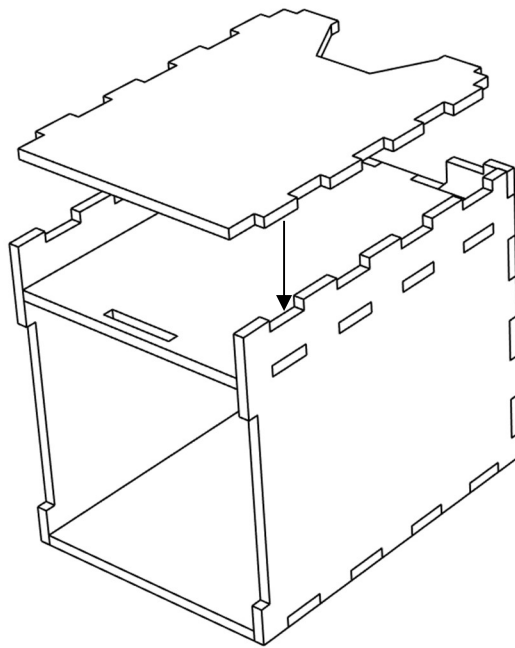
Step 3 (Outside Box Pieces):

Attach the two Side Wall pieces to the Middle, Back Wall and Bottom pieces, making note they are facing the correct way as shown.



Step 4 (Outside Box Pieces):

Attach the Top piece to the two Side Wall and Back pieces as shown.



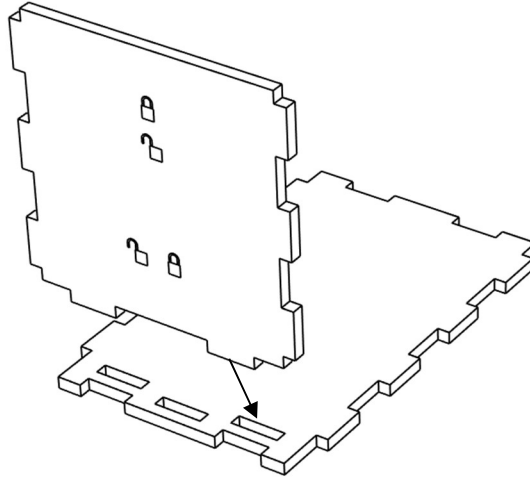
Outside Box is now complete.

Inside Deck Drawer Instructions

Inside Drawer Instructions

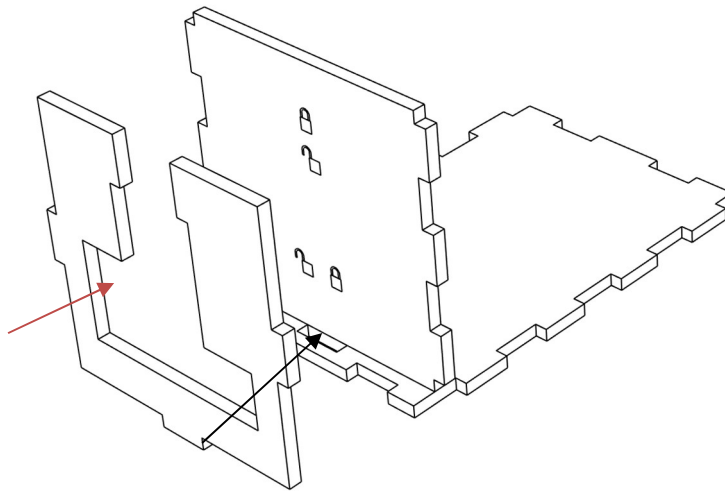
Step 5 (Inside Drawer Pieces):

Attach Lock Wall 1 piece to Floor piece as shown.



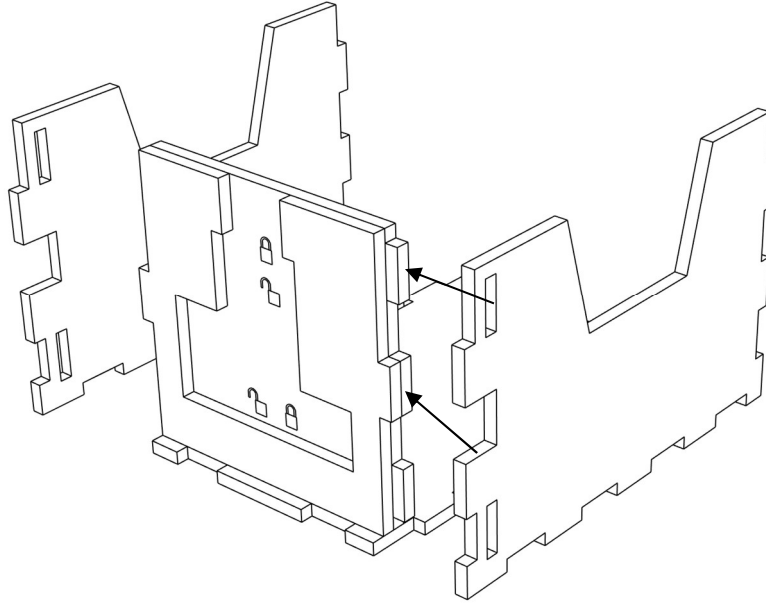
Step 6 (Inside Drawer Pieces):

Attach Lock Wall 2 piece to Floor piece as shown, making note it is facing the correct way with the taller inside wall height on the left side.



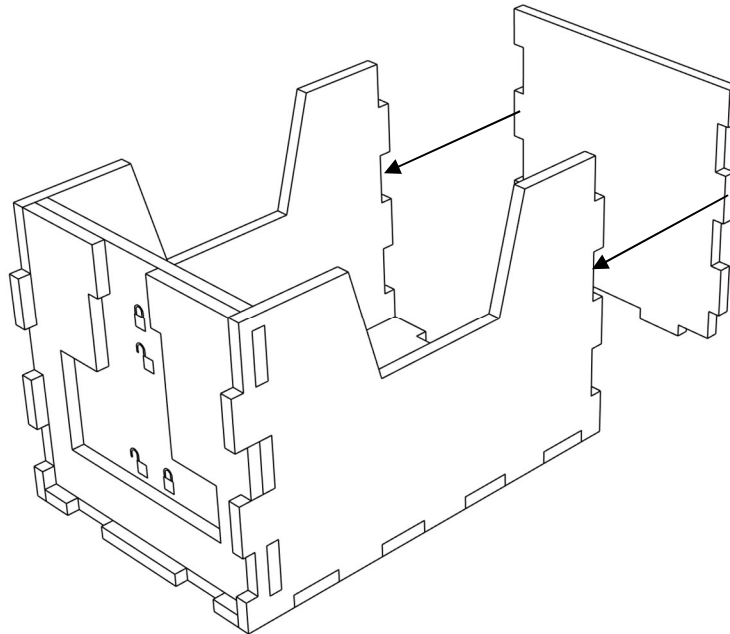
Step 7 (Inside Drawer Pieces):

Attach the Side Wall pieces to Lock Walls 1 & 2 and Bottom pieces as shown.



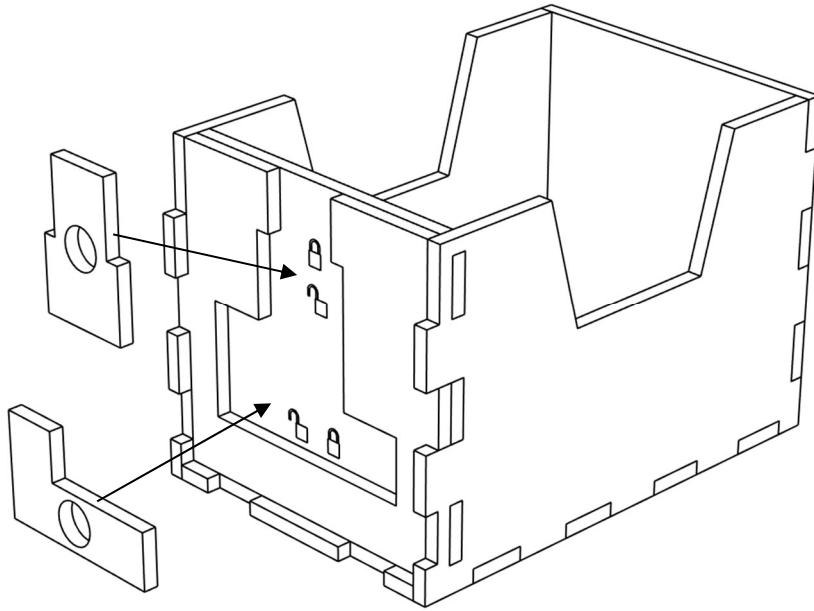
Step 8 (Inside Drawer Pieces):

Attach the Back Wall piece to the Side Wall and Bottom pieces as shown.



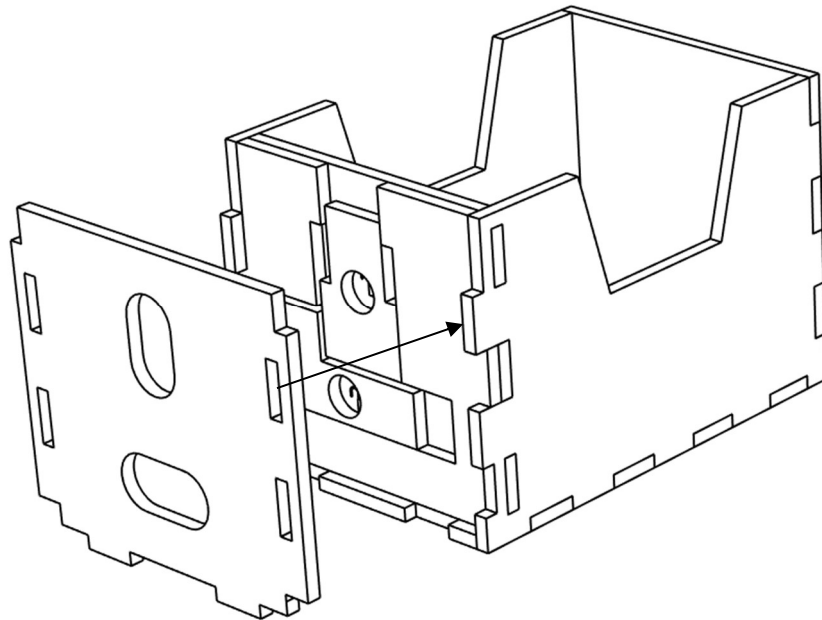
Step 9 (Inside Drawer Pieces):

Place the two Lock pieces to the Lock Wall 2 piece, making note they are facing the correct way as shown.



Step 10 (Inside Drawer Pieces):

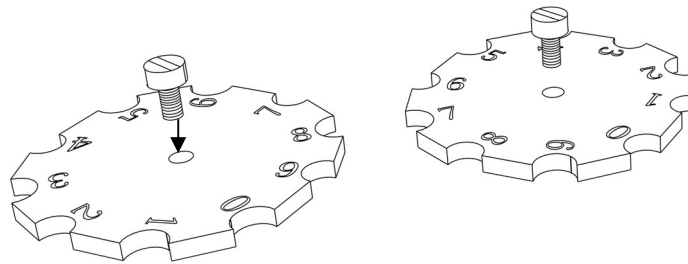
Attach Lock Wall 3 piece to the Side Walls and Bottom pieces as shown.



Inside Deck Drawer is now complete.

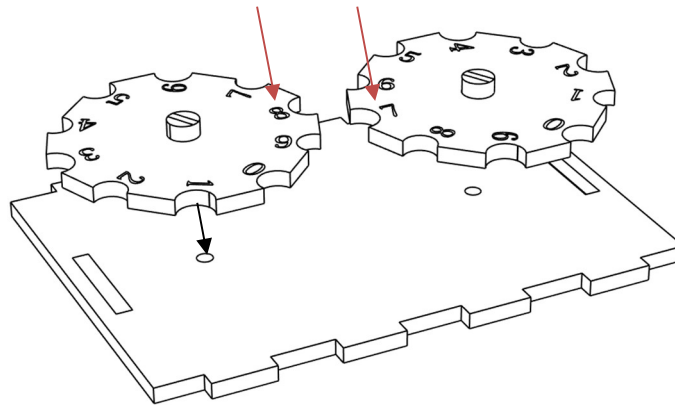
Step 11 (Life Counter Pieces):

Put screws into Left and Right Number Wheels as shown.



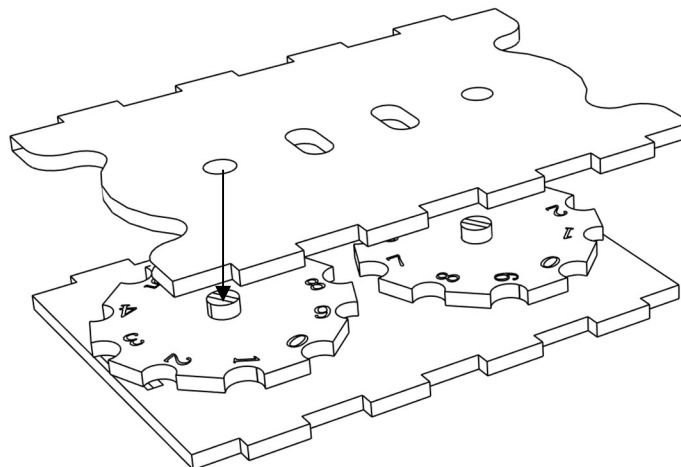
Step 12 (Life Counter Pieces):

Attach the Left and Right Number Wheels to the Floor piece as shown. **Note the direction the numbers are facing for each Number Wheel.**



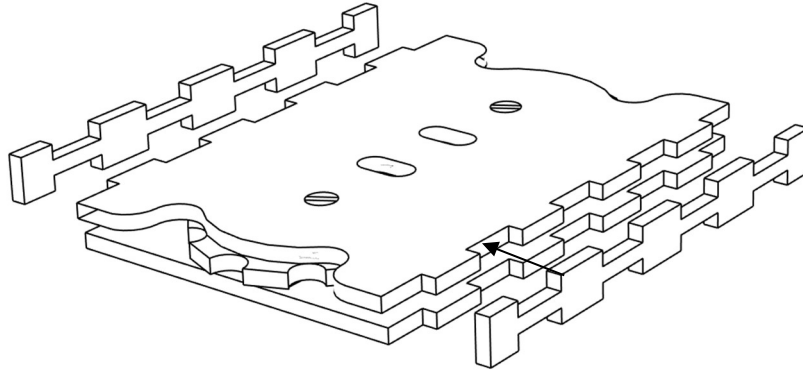
Step 13 (Life Counter Pieces):

Place the Top piece on the Number Wheels as shown.



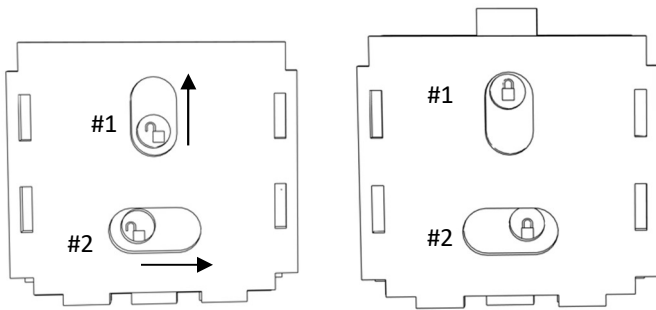
Step 14 (Life Counter Pieces):

Attach the Side Wall pieces as shown.



Step 15 (Locking the Deck Box):

To lock Deck Box, slide top lock up, then slide bottom lock to the right.



Follow us on Instagram and Facebook
[@mysandboxgaming](#)

Use the following link to watch assembly video:
www.mysandboxgaming.com/assembly-instructions



www.mysandboxgaming.com