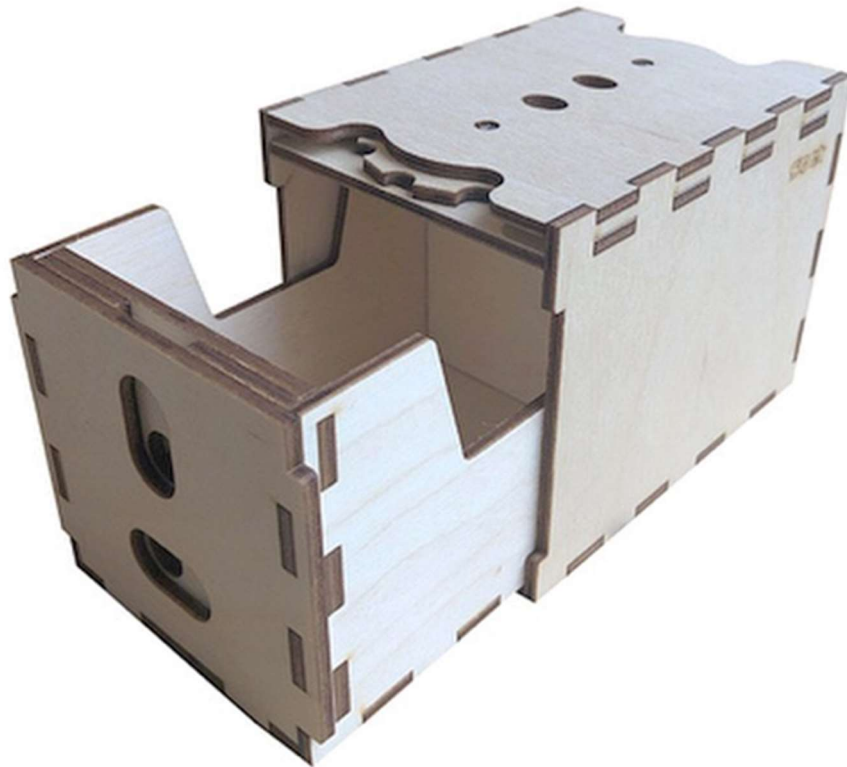




Deck Box with Attached Life Counter
Assembly Instructions

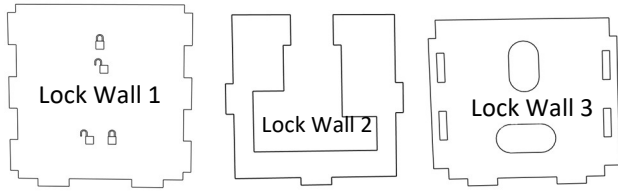
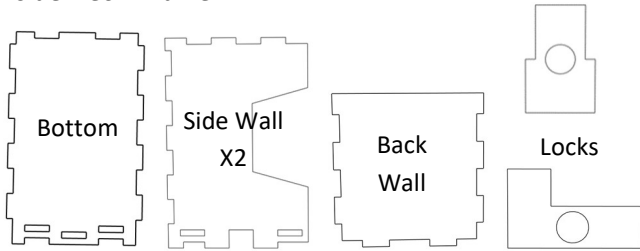


***This product is intended to be assembled using wood glue to ensure its durability and longevity.*

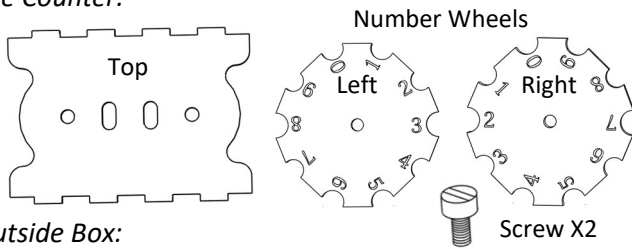
Step 1:

Separate pieces into their respective piles.

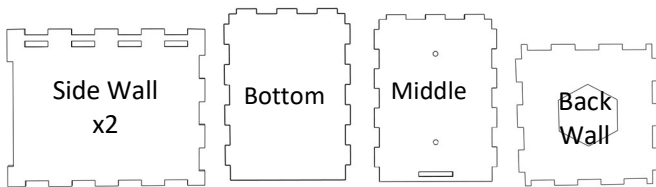
Inside Deck Drawer:



Life Counter:



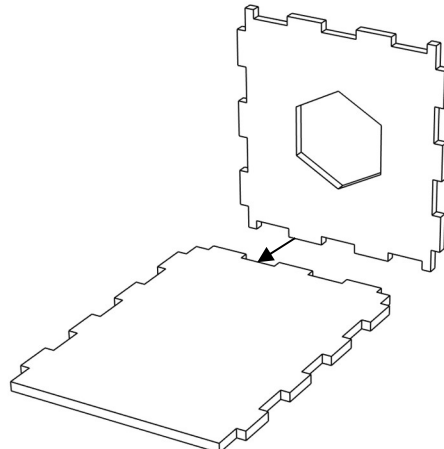
Outside Box:



Outside Box Instructions

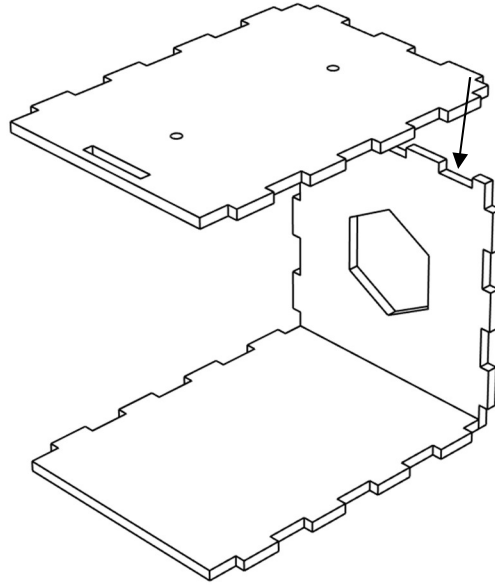
Step 2 (Outside Box Pieces):

Attach the Back Wall piece to the Bottom piece as shown.



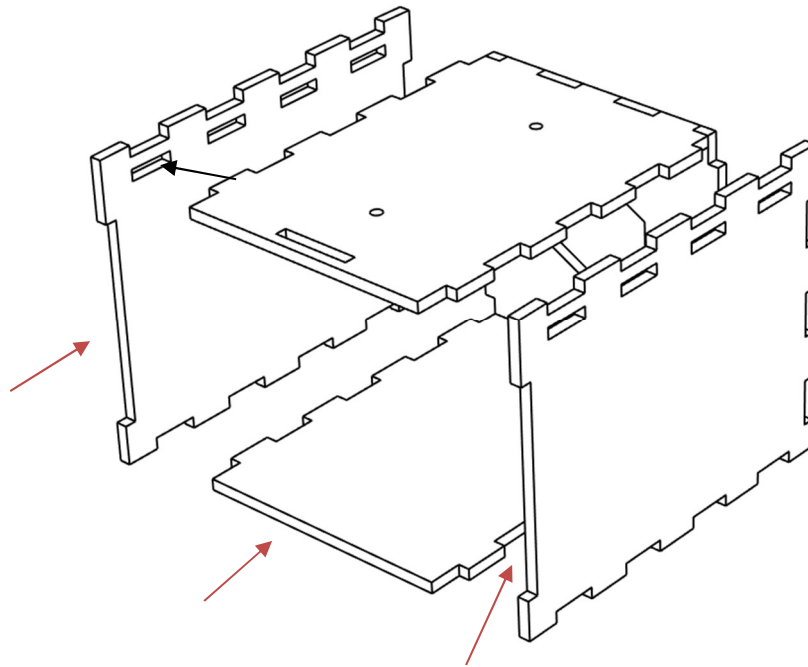
Step 3 (Outside Box Pieces):

Attach the Middle piece to the Back Wall piece as shown.



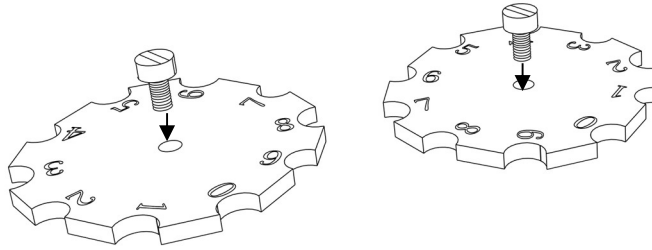
Step 4 (Outside Box Pieces):

Attach the two Side Wall pieces to the Bottom, Back Wall and Middle pieces, making note they are facing the correct way as shown.



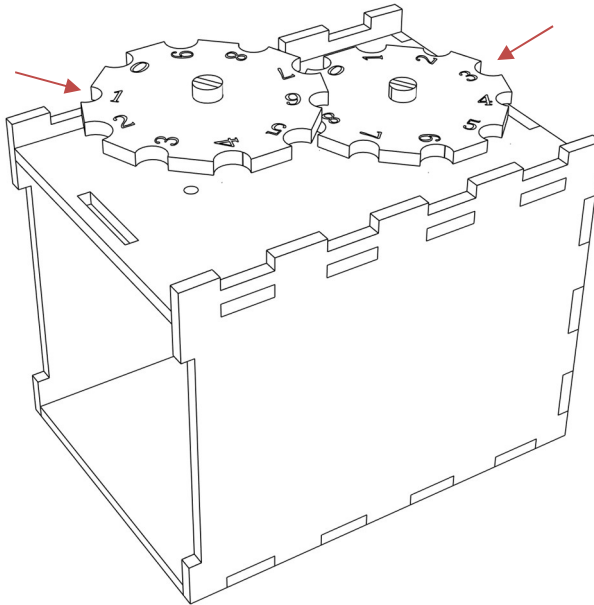
Step 5 (Outside Box Pieces):

Put screws into Left and Right Number Wheels as shown.



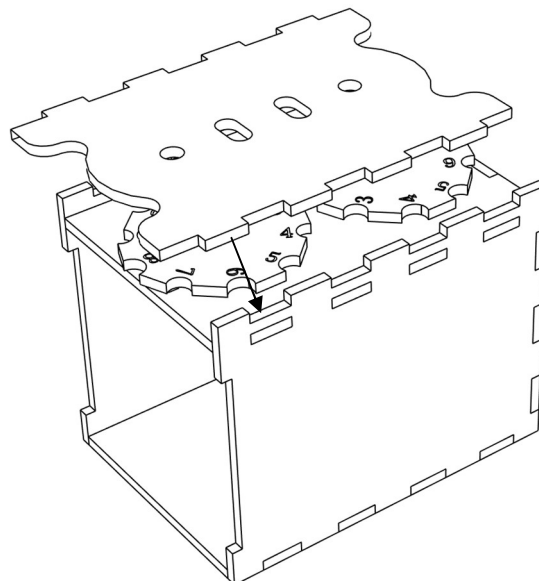
Step 6 (Outside Box Pieces):

Place the Left and Right Number Wheels over the holes on the Middle piece as shown. **Note the direction the numbers are facing for each Number Wheel.**



Step 7 (Outside Box Pieces):

Attach Top piece to Side Wall pieces as shown.

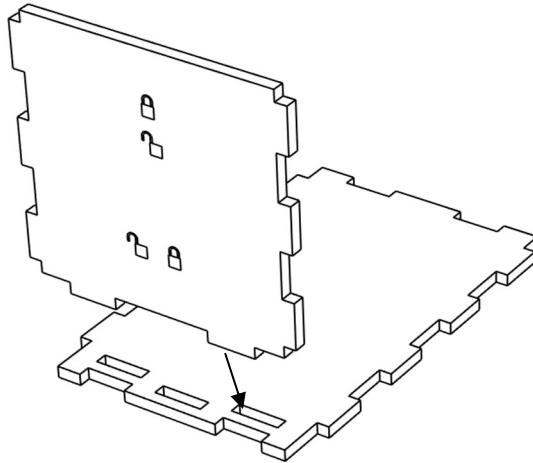


Outside Box is now complete.

Inside Deck Drawer Instructions

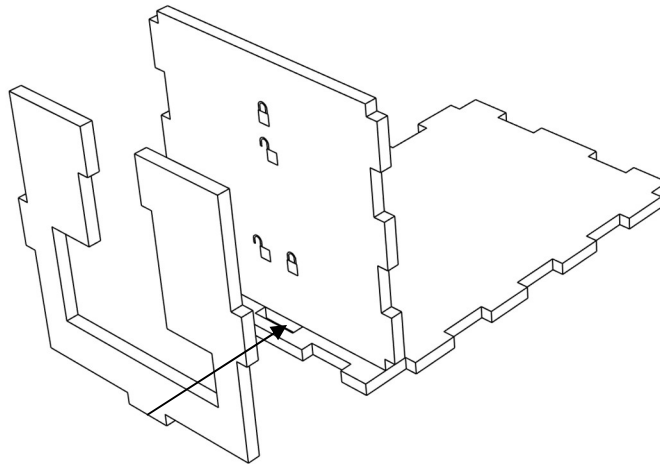
Step 8 (Inside Deck Drawer Pieces):

Attach Lock Wall 1 piece to Bottom piece as shown.



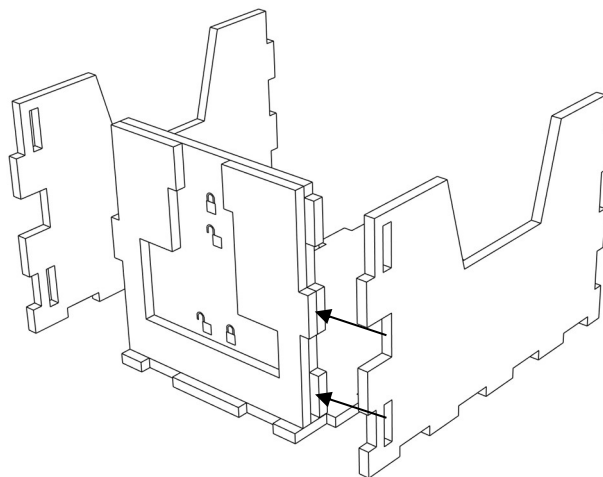
Step 9 (Inside Deck Drawer Pieces):

Attach Lock Wall 2 piece to Bottom piece as shown. Note direction of Lock Wall 2 piece (inside taller on left).



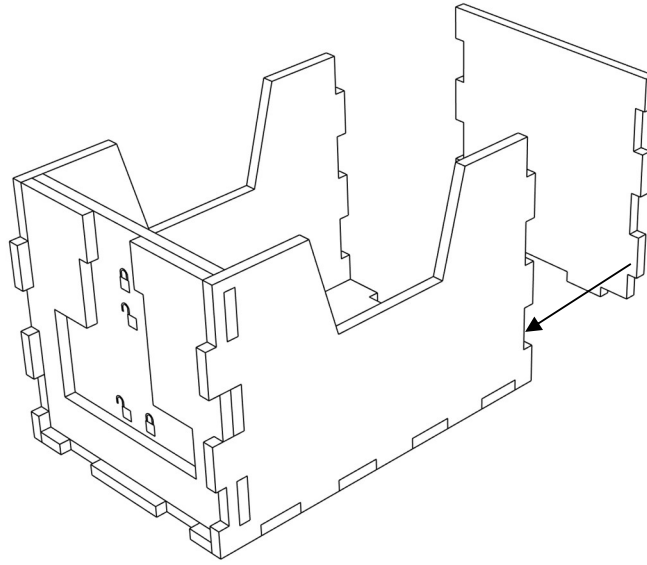
Step 10 (Inside Deck Drawer Pieces):

Attach the Side Wall pieces to Lock Walls 1 & 2 and Floor piece, making note they are facing the correct way as shown.



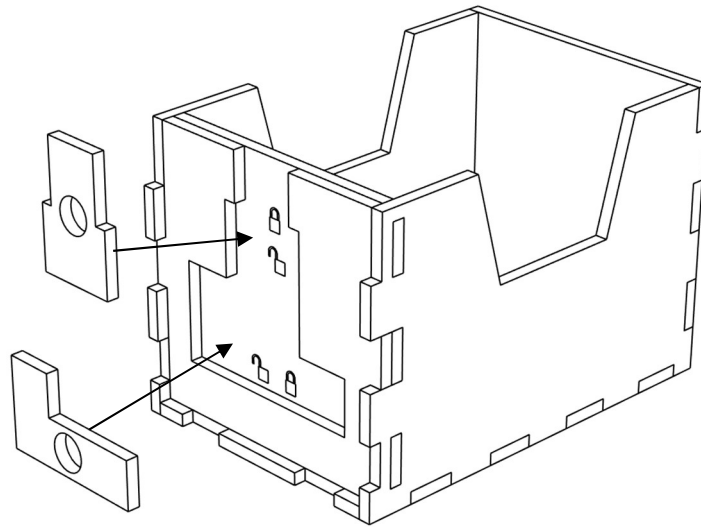
Step 11 (Inside Deck Drawer Pieces):

Attach the Back Wall piece to the Bottom and Side Wall pieces as shown.



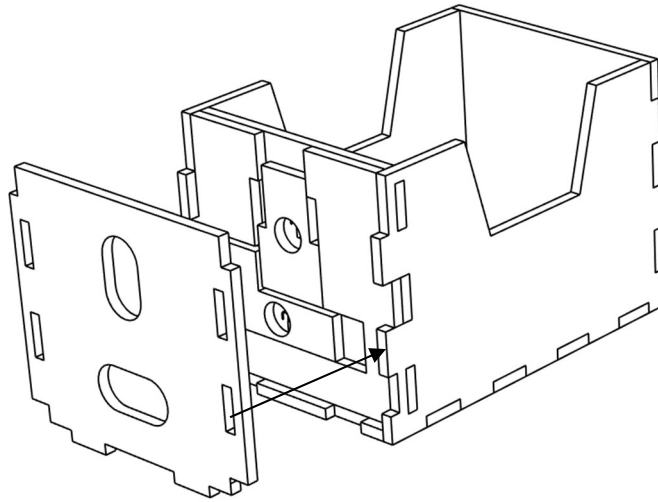
Step 12 (Inside Deck Drawer Pieces):

Place the two Lock pieces on the Lock Wall 2 piece, making note they are facing the correct way as shown.



Step 13 (Inside Deck Drawer Pieces):

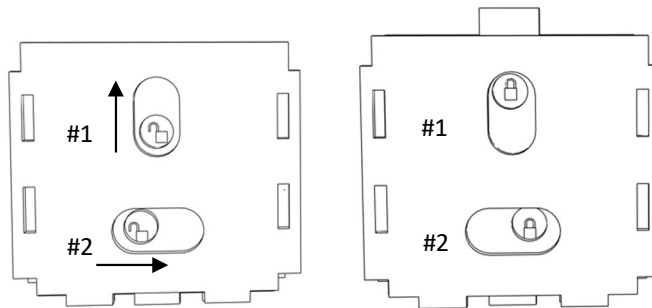
Attach Lock Wall 3 piece as shown.



Inside Deck Drawer is now complete.

Step 14 (Locking the Deck Box):

To lock Deck Box, slide top lock up, then slide bottom lock to the right.



**Follow us on Instagram and Facebook
@mysandboxgaming**

**Use the following link to watch assembly video:
www.mysandboxgaming.com/assembly-instructions**



www.mysandboxgaming.com