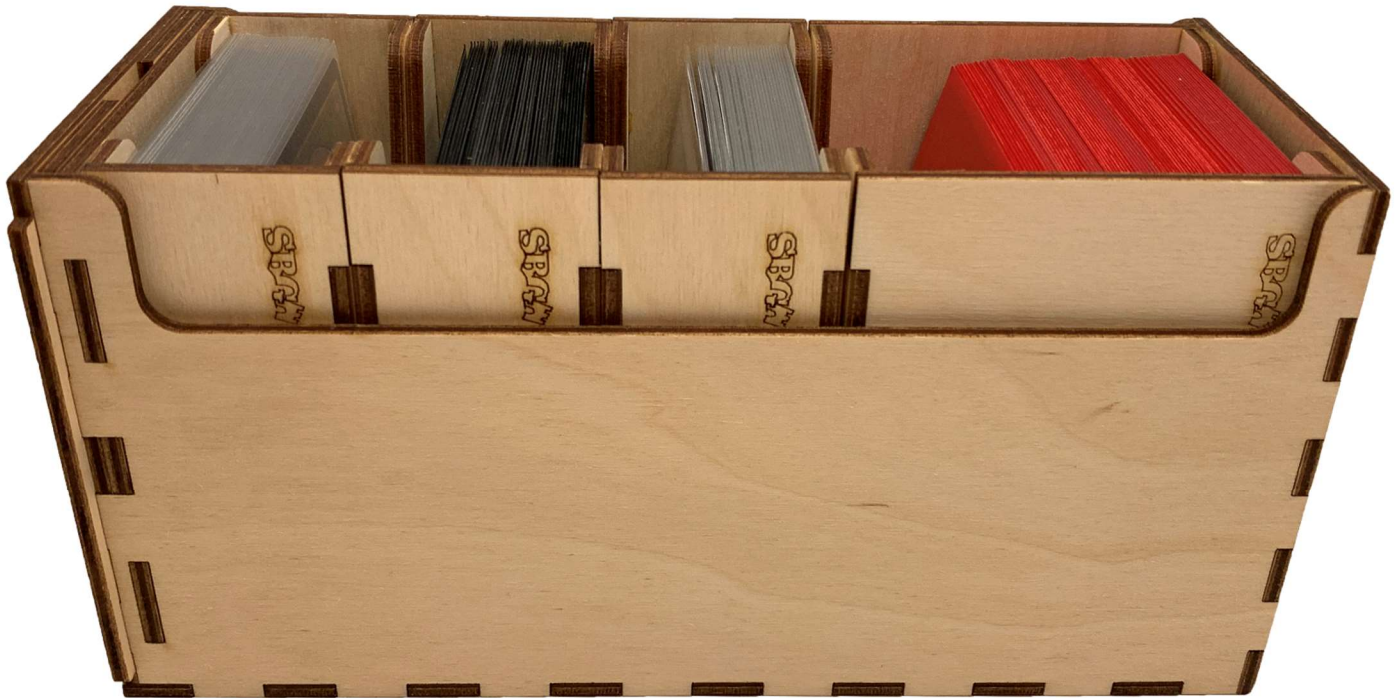




**Game Shell without Drawers**  
Assembly Instructions

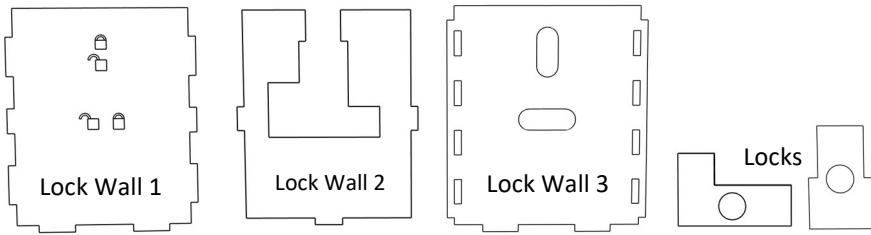
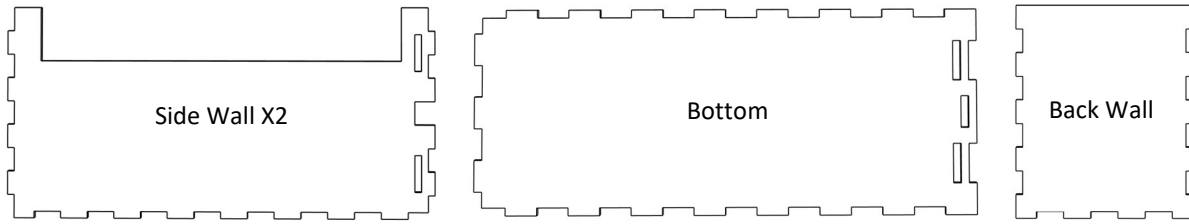


*\*\*This product is intended to be assembled using wood glue to ensure its durability and longevity.*

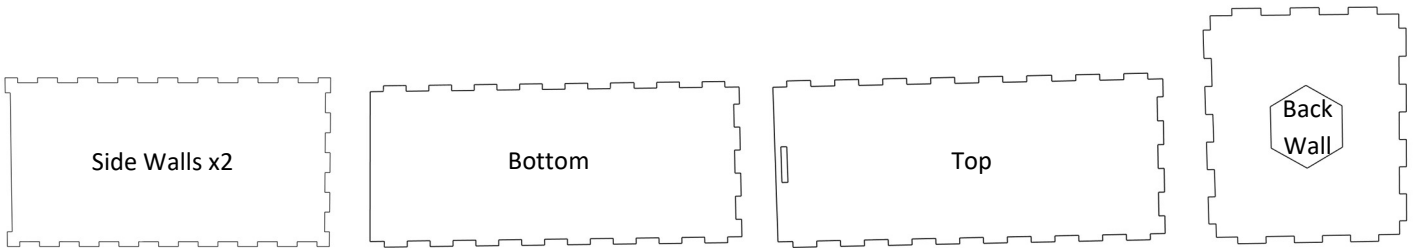
### Step 1:

Separate pieces into their respective piles.

*Inside Drawer:*



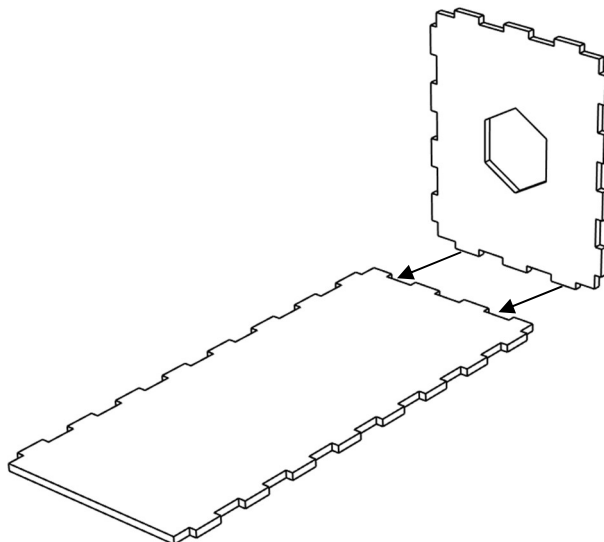
*Outside Box:*



### Outside Cover Instructions

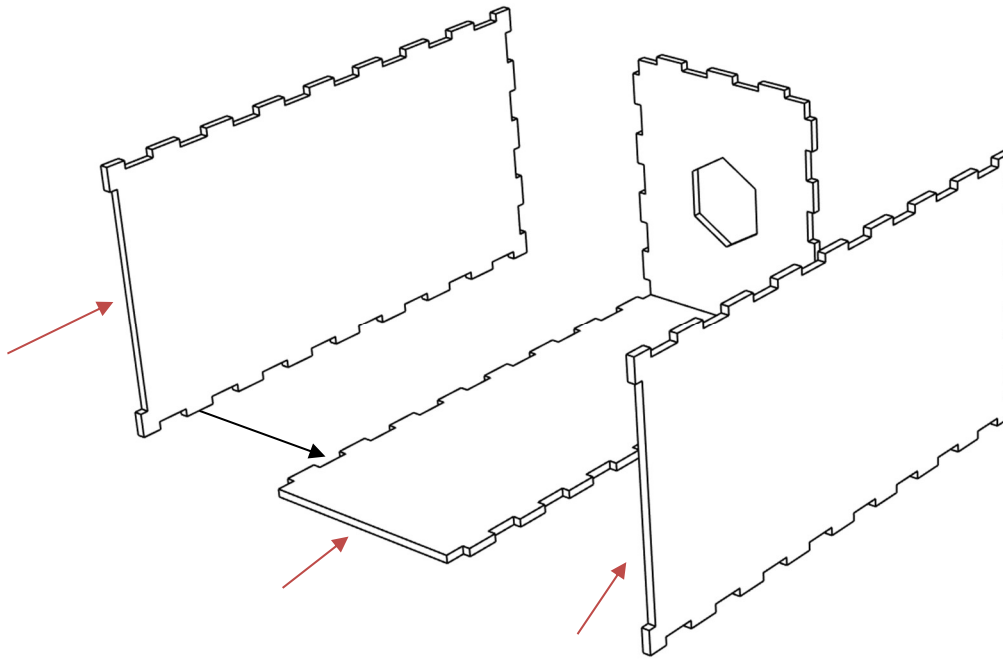
#### Step 2 (Outside Cover Pieces):

Attach the Back Wall piece to the Bottom piece as shown.



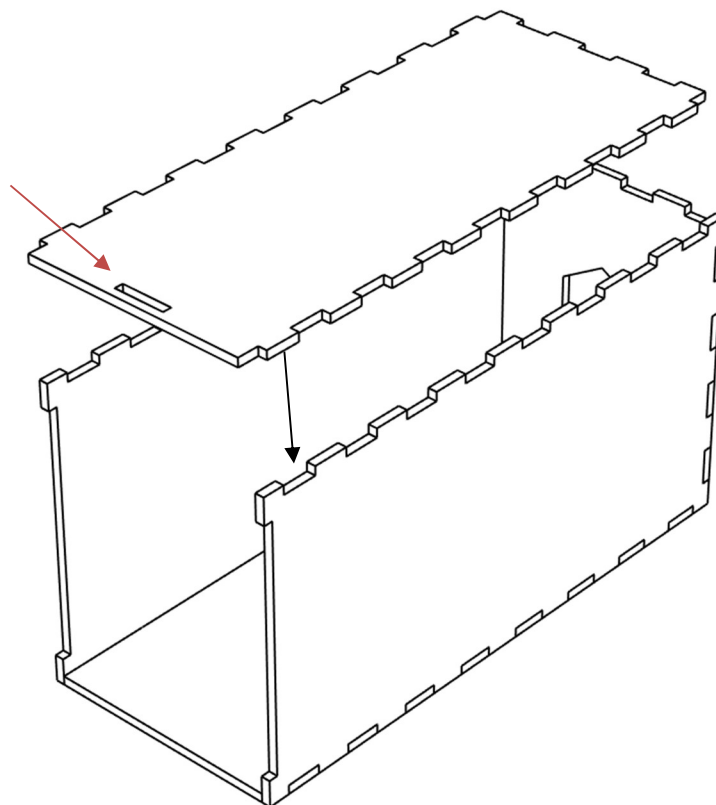
### Step 3 (Outside Cover Pieces):

Attach the two Side Wall pieces to the Back and Bottom pieces, making note they are facing the correct way as shown.



### Step 4 (Outside Cover Pieces):

Attach the Top piece to the Side Wall and Back pieces, making note it is facing the correct way as shown.

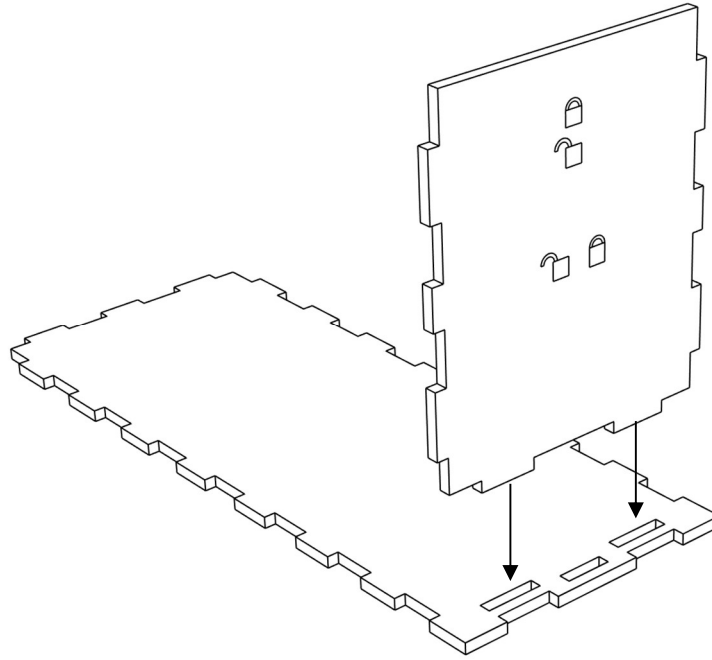


**Cover is now complete.**

## Inside Storage Drawer Instructions

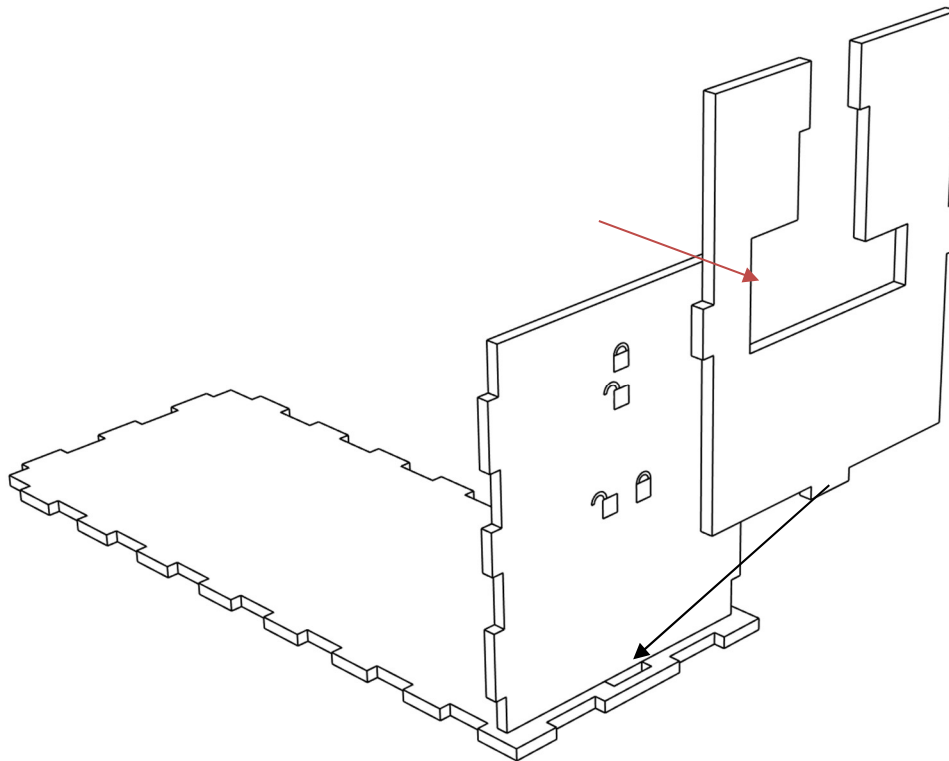
### Step 5 (Inside Storage Drawer Pieces):

Attach Lock Wall 1 piece to Floor piece as shown.



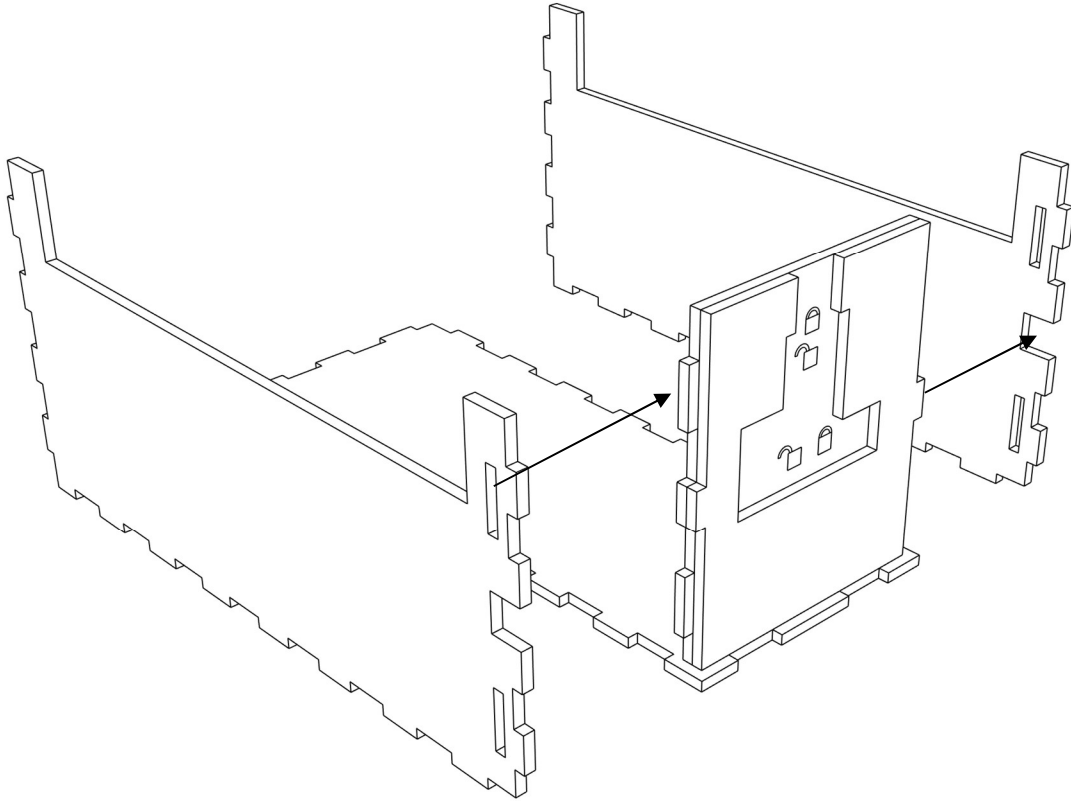
### Step 6 (Inside Storage Drawer Pieces):

Attach Lock Wall 2 piece to Floor piece, making note it is facing the correct way with the left side having more space than the right side.



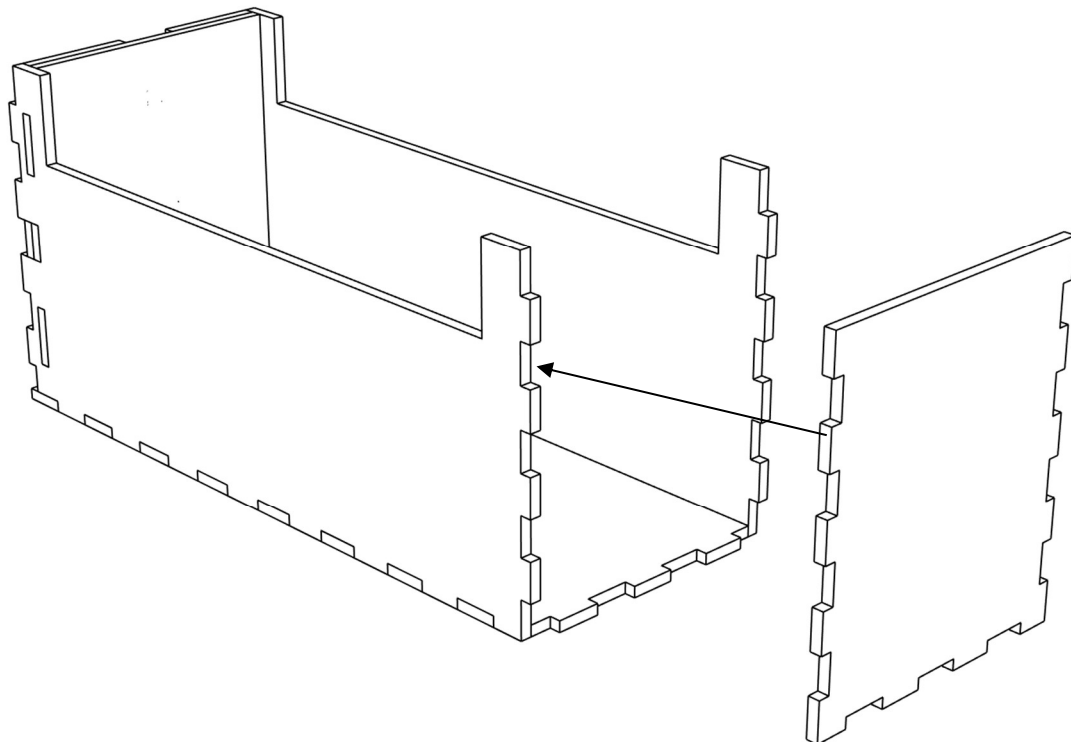
### Step 7 (Inside Storage Drawer Pieces):

Attach the Side Wall pieces to Lock Walls 1 & 2 and Floor pieces as shown.



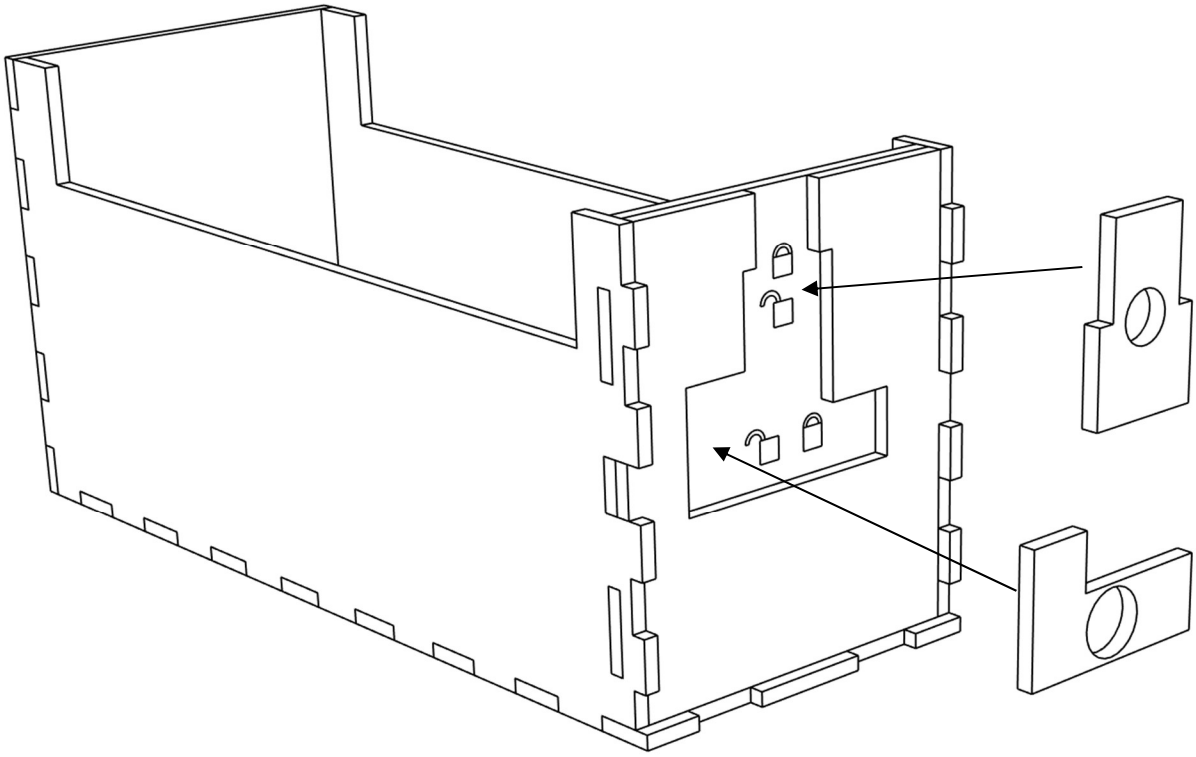
### Step 8 (Inside Storage Drawer Pieces):

Attach the Back Wall piece to the Side Wall and Floor pieces as shown.



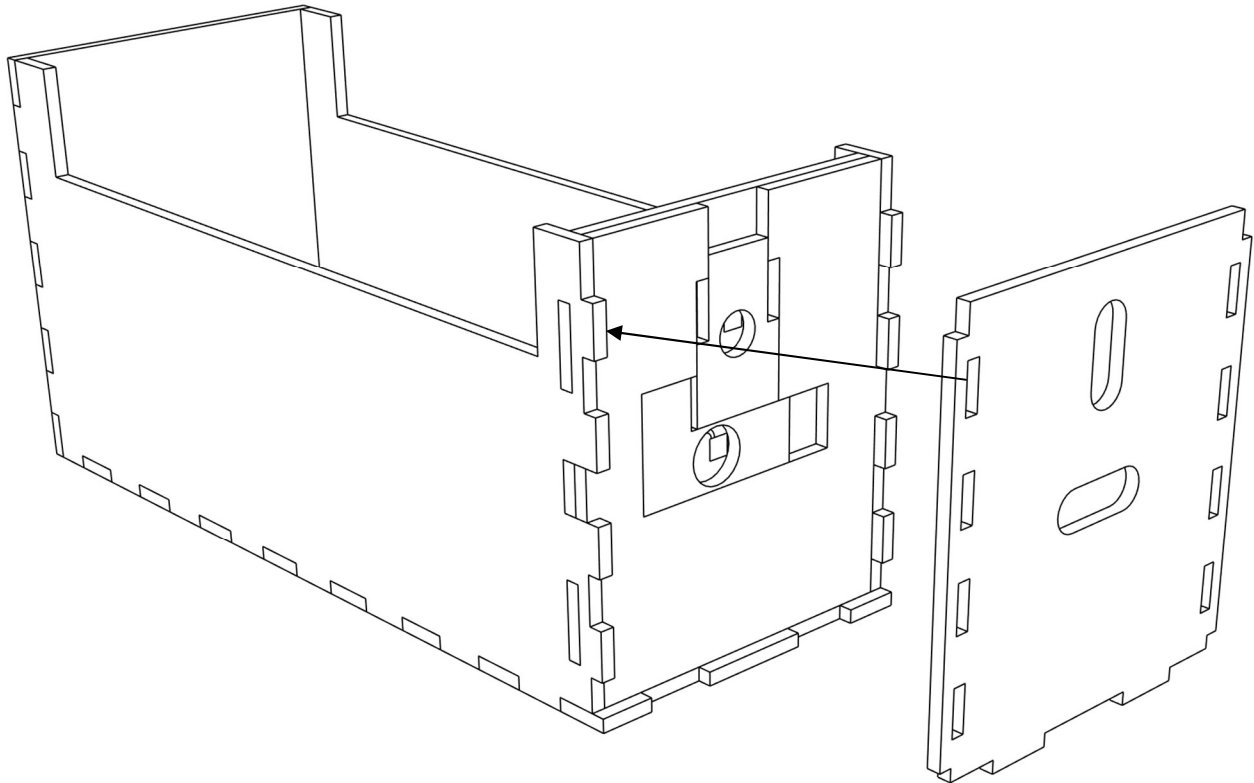
### Step 9 (Inside Storage Drawer Pieces):

Place the two Lock pieces to the Lock Wall 2 piece, making note they are facing the correct way as shown.



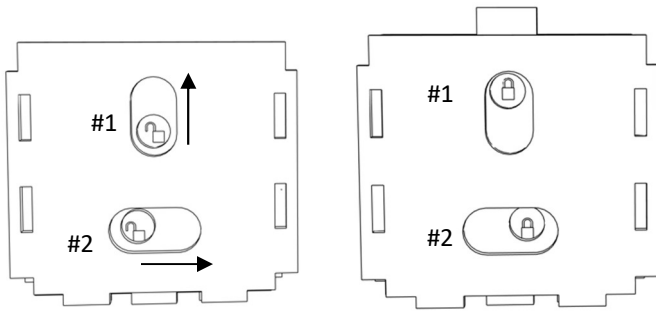
### Step 10 (Inside Storage Drawer Pieces):

Attach Lock Wall 3 piece to the Side Walls and Floor pieces as shown.



## Step 11 (Locking the Game Shell without Drawers):

To lock Game Shell without Drawers, slide top lock up, then slide bottom lock to the right.



Follow us on Instagram and Facebook  
[@mysandboxgaming](#)

Use the following link to watch assembly video:  
[www.mysandboxgaming.com/assembly-instructions](http://www.mysandboxgaming.com/assembly-instructions)



[www.mysandboxgaming.com](http://www.mysandboxgaming.com)