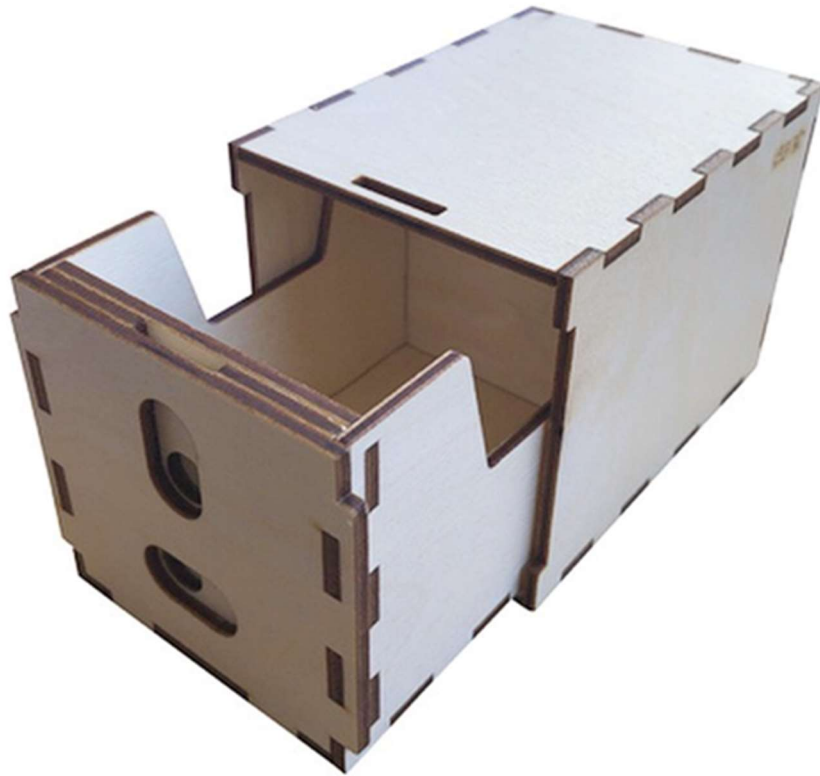


SBCG



Sand Box Gaming

Deck Box Assembly Instructions

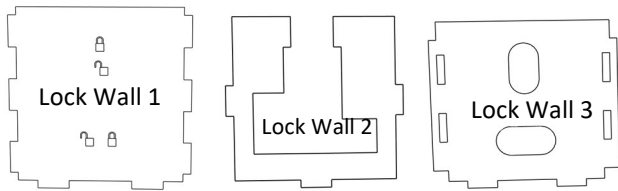
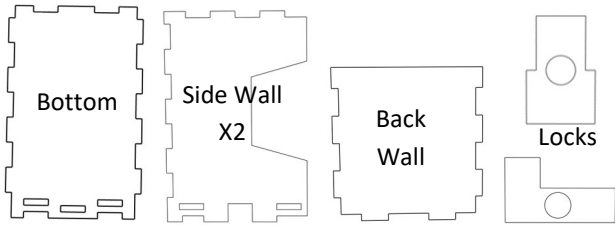


***This product is intended to be assembled using wood glue to ensure its durability and longevity.*

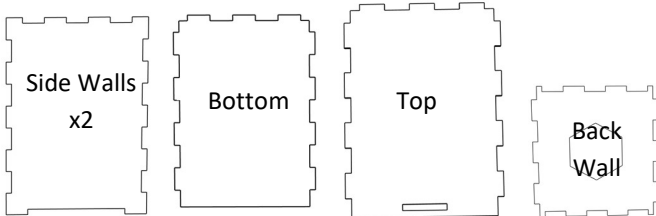
Step 1:

Separate pieces into their respective piles.

Inside Drawer:



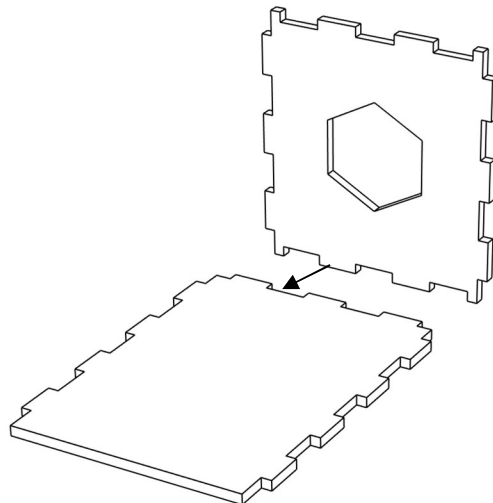
Outside Box:



Outside Box Instructions

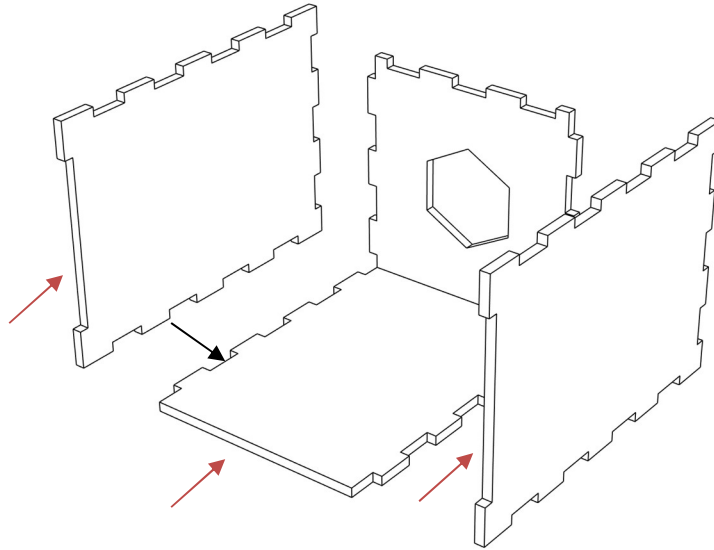
Step 2 (Outside Box Pieces):

Attach the Back Wall piece to the Bottom piece as shown.



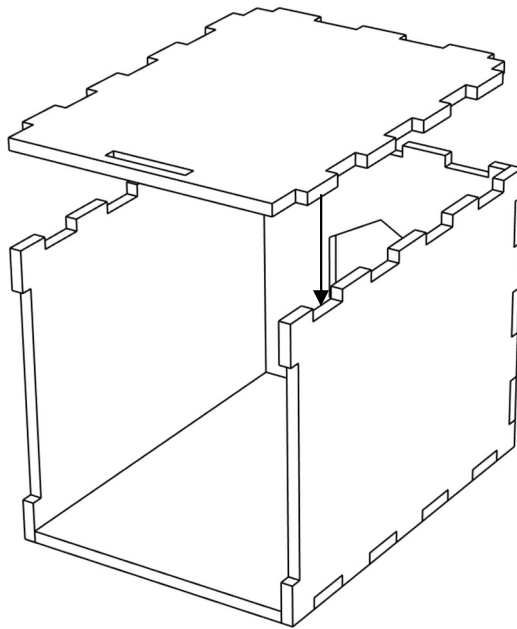
Step 3 (Outside Box Pieces):

Attach the Side Wall pieces to the Back Wall and Bottom pieces, making note they are facing the correct way as shown.



Step 4 (Outside Box Pieces):

Attach the Top piece to the Side Wall and Back Wall pieces as shown.

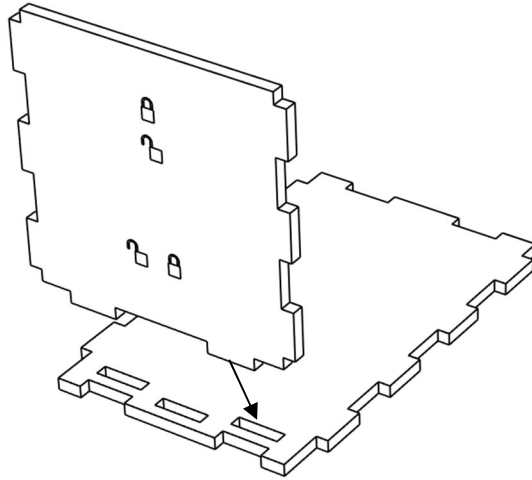


Outside Box is now complete.

Inside Drawer Instructions

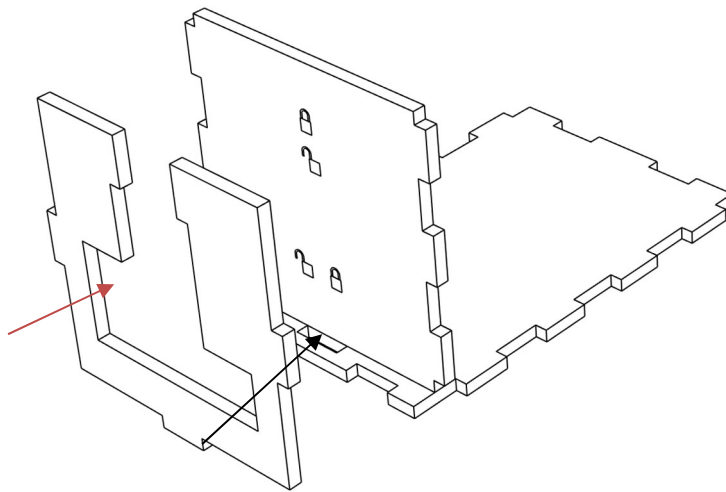
Step 5 (Inside Drawer Pieces):

Attach Lock Wall 1 piece to Floor piece as shown.



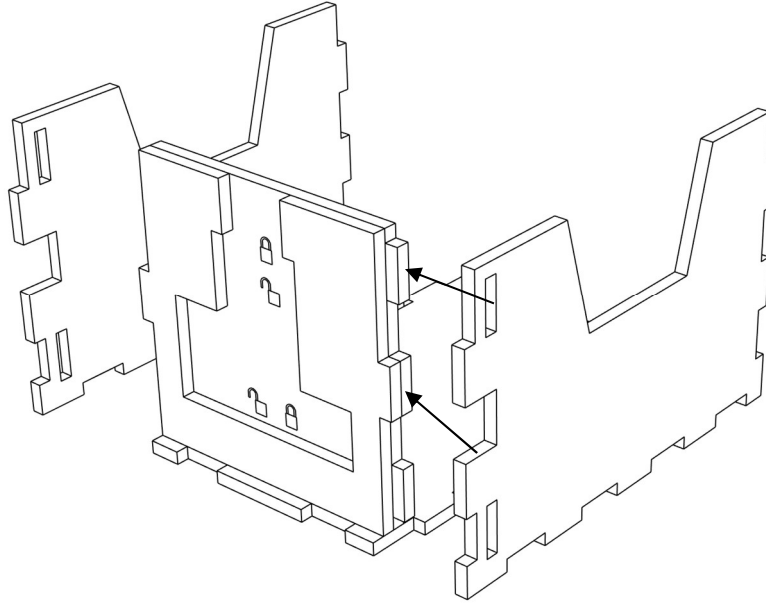
Step 6 (Inside Drawer Pieces):

Attach Lock Wall 2 piece to Floor piece as shown, making note it is facing the correct way with the left side having more space than the right side.



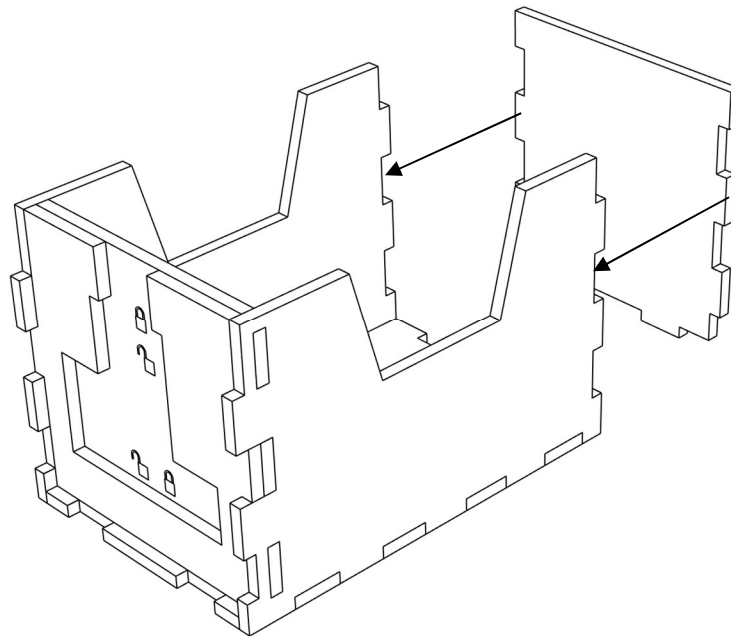
Step 7 (Inside Drawer Pieces):

Attach the Side Wall pieces to Lock Walls 1 & 2 and Floor pieces as shown.



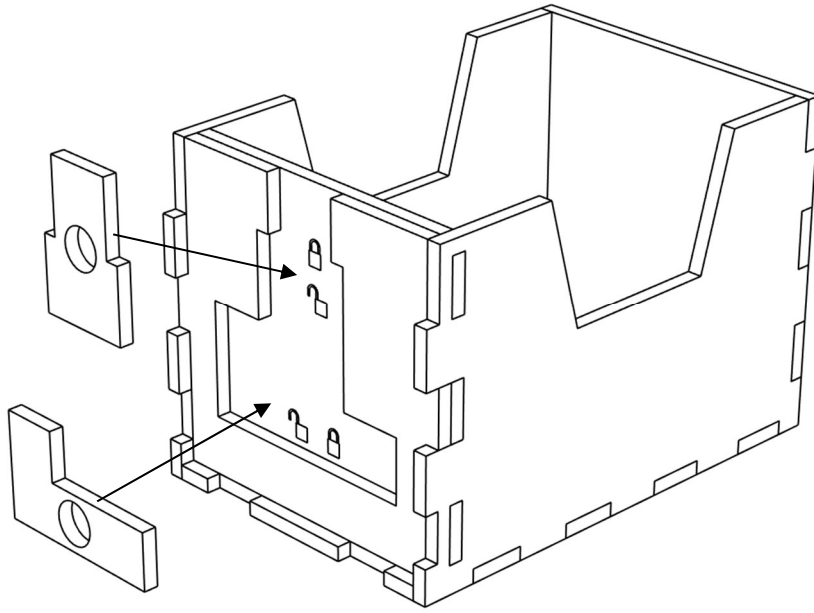
Step 8 (Inside Drawer Pieces):

Attach the Back Wall piece to the Side Wall and Floor pieces as shown.



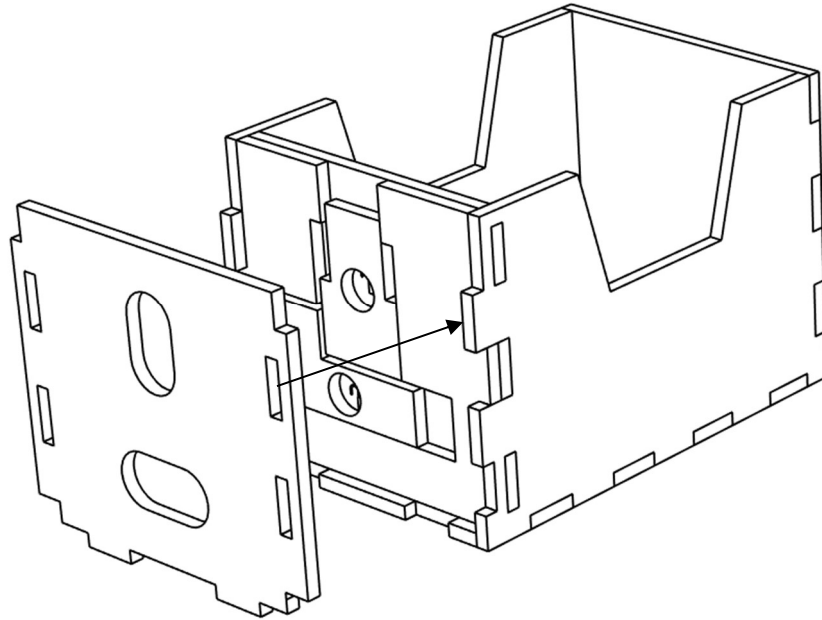
Step 9 (Inside Drawer Pieces):

Place the two Lock pieces to the Lock Wall 2 piece, making note they are facing the correct way as shown.



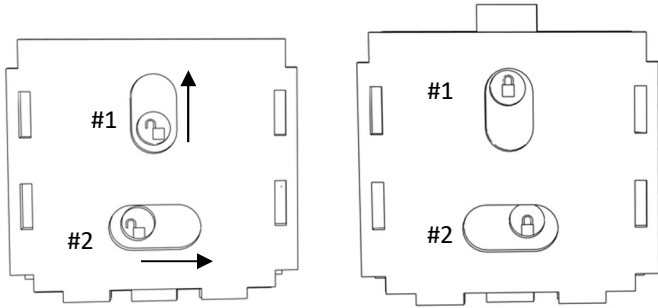
Step 10 (Inside Drawer Pieces):

Attach Lock Wall 3 piece to the Side Walls and Floor pieces as shown.



Step 11 (Locking the Deck Box):

To lock Deck Box, slide top lock up, then slide bottom lock to the right.



Follow us on Instagram and Facebook
[@mysandboxgaming](#)

Use the following link to watch assembly video:
www.mysandboxgaming.com/assembly-instructions



www.mysandboxgaming.com