

SBCG

Sand Box Gaming

Key Forge Game Shell

Assembly Instructions

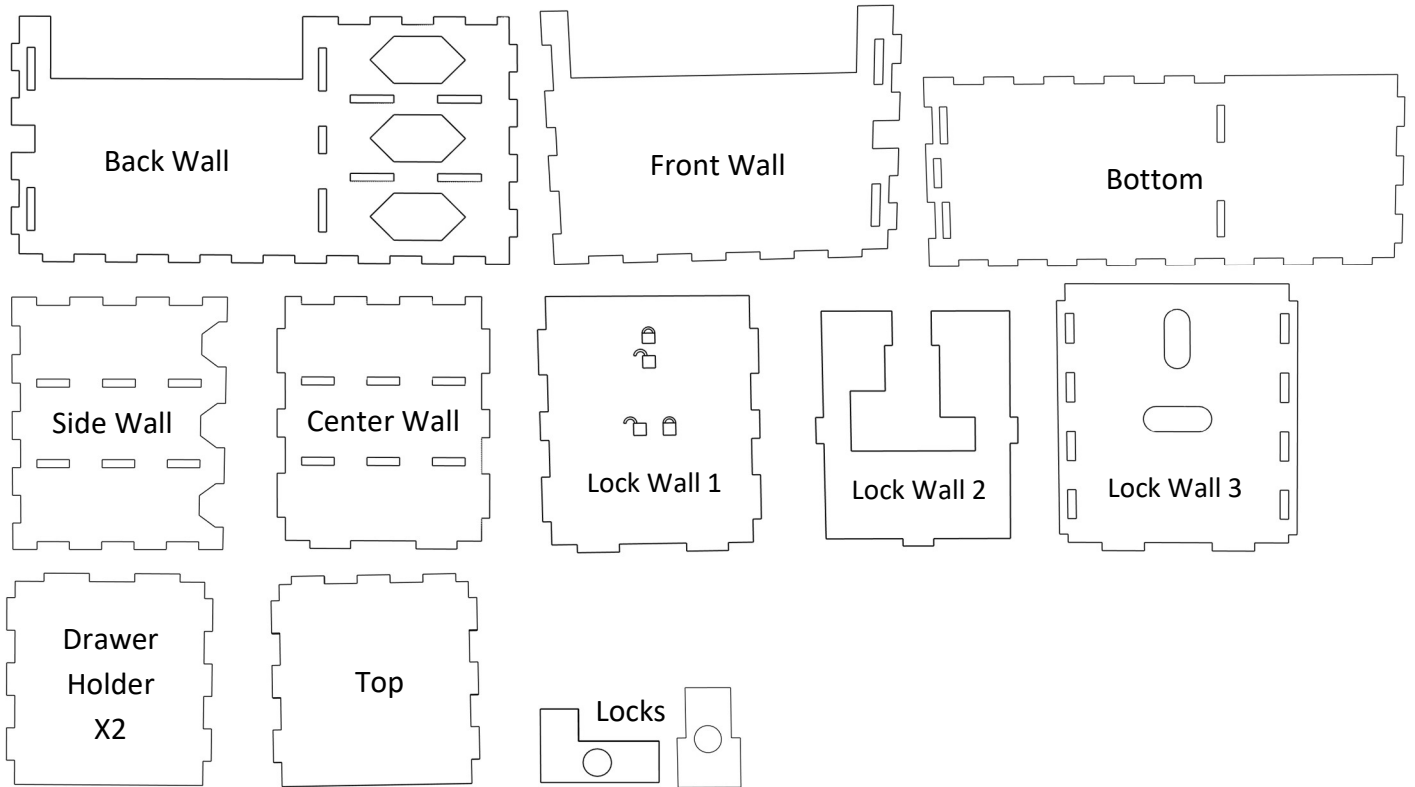


**** This product is intended to be assembled using wood glue to ensure its durability and longevity.**

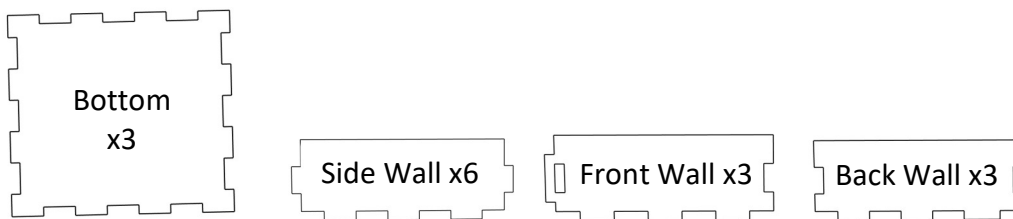
Step 1:

Separate pieces into their respective piles.

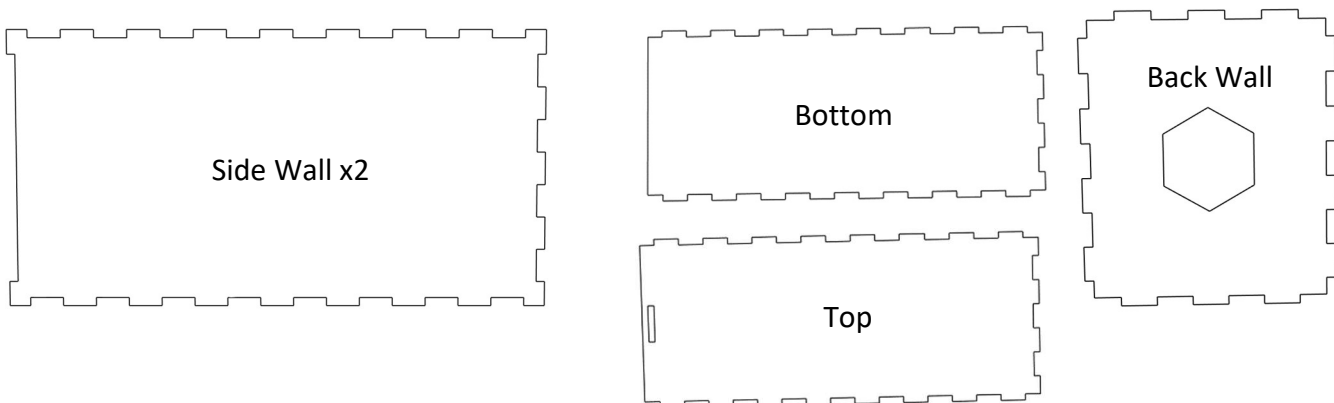
Inside Storage Drawer:



Inside Removable Drawer:



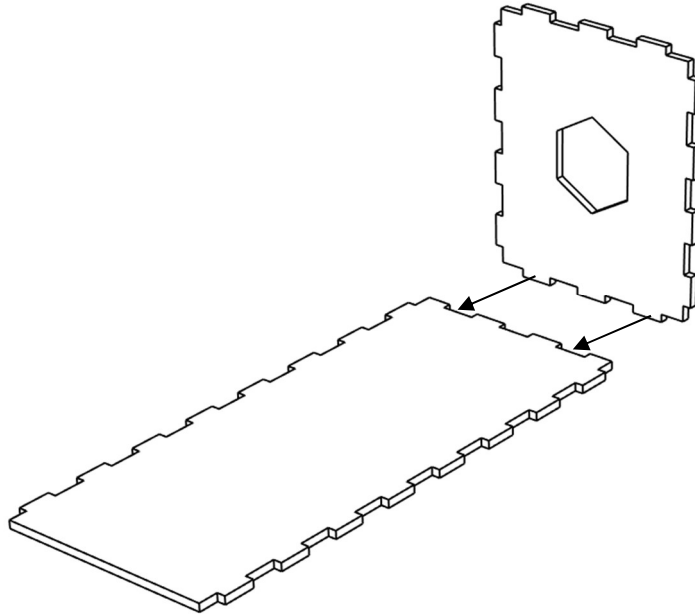
Outside Cover:



Outside Cover Instructions

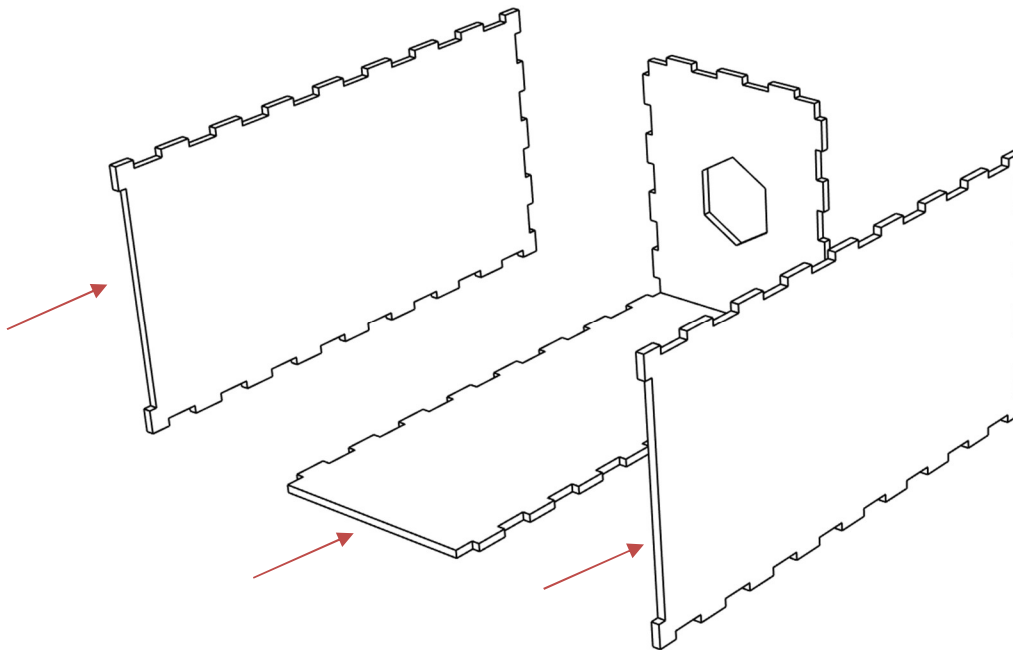
Step 2 (Outside Cover Pieces):

Attach the Back Wall piece to the Bottom piece as shown.



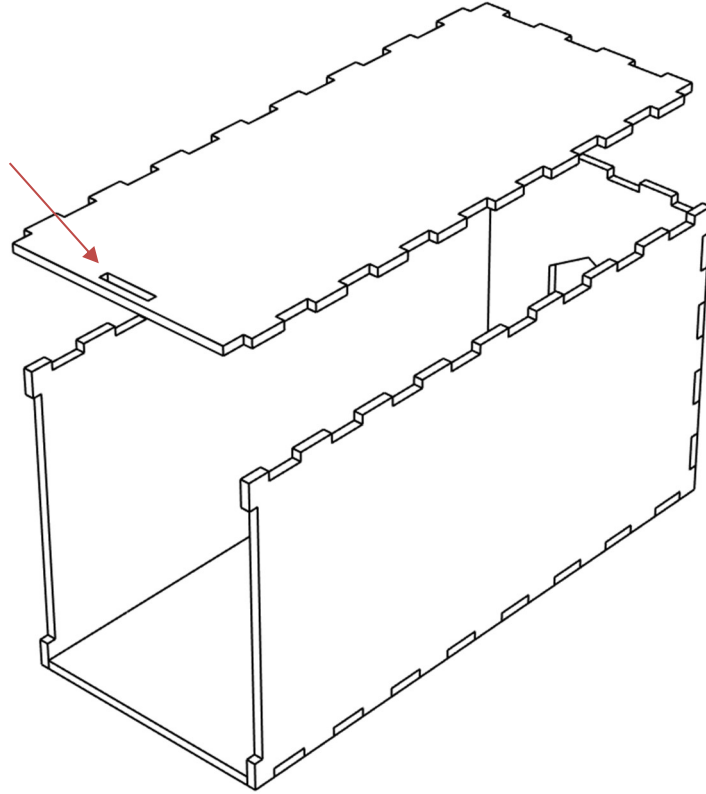
Step 3 (Outside Cover Pieces):

Attach the two Side Wall pieces to the Back and Bottom pieces, making note they are facing the correct way as shown.



Step 4 (Outside Cover Pieces):

Attach the Top piece to the Side Wall and Back pieces, making note it is facing the correct way as shown.



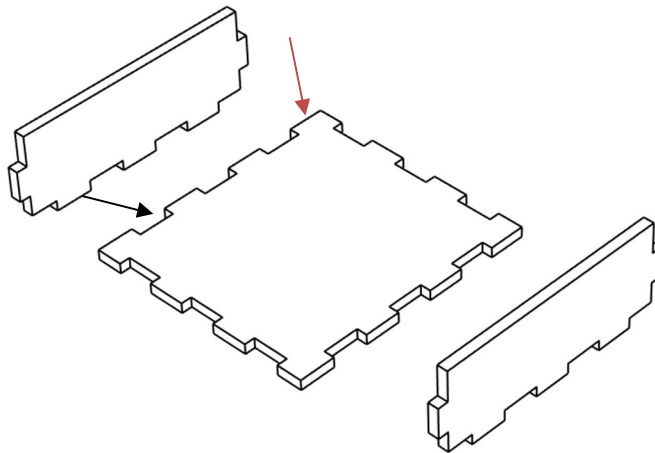
Cover is now complete.

Inside Removable Drawer Instructions

****Note you will do Steps 5-7 three times**

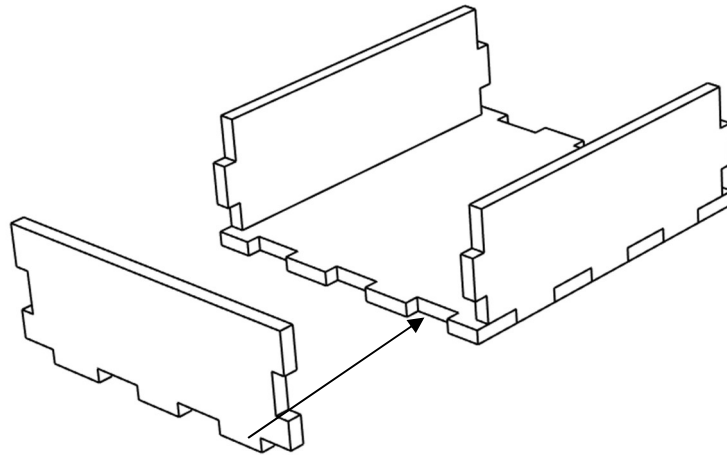
Step 5 (Inside Removable Drawer Pieces):

Attach the two Side Wall pieces to the Bottom piece as shown. Note the last notch on the Bottom piece is longer on the side the two Side Wall pieces should be attached.



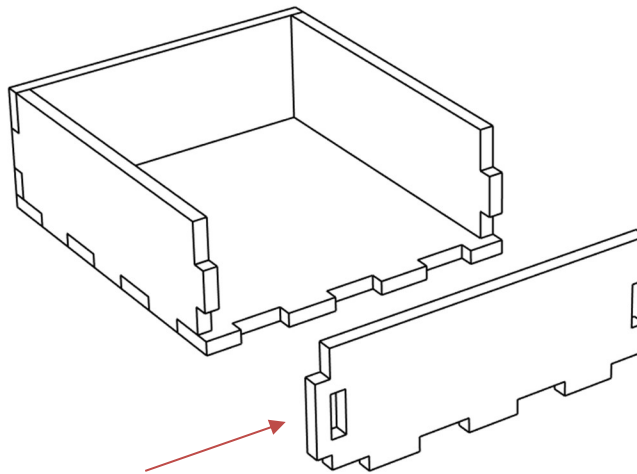
Step 6 (Inside Removable Drawer Pieces):

Attach the Back Wall piece to the Bottom and Side Wall pieces as shown.



Step 7 (Inside Removable Drawer Pieces):

Attach the Front Wall piece to the Bottom and Side Wall pieces, making note they are facing the correct way as shown.

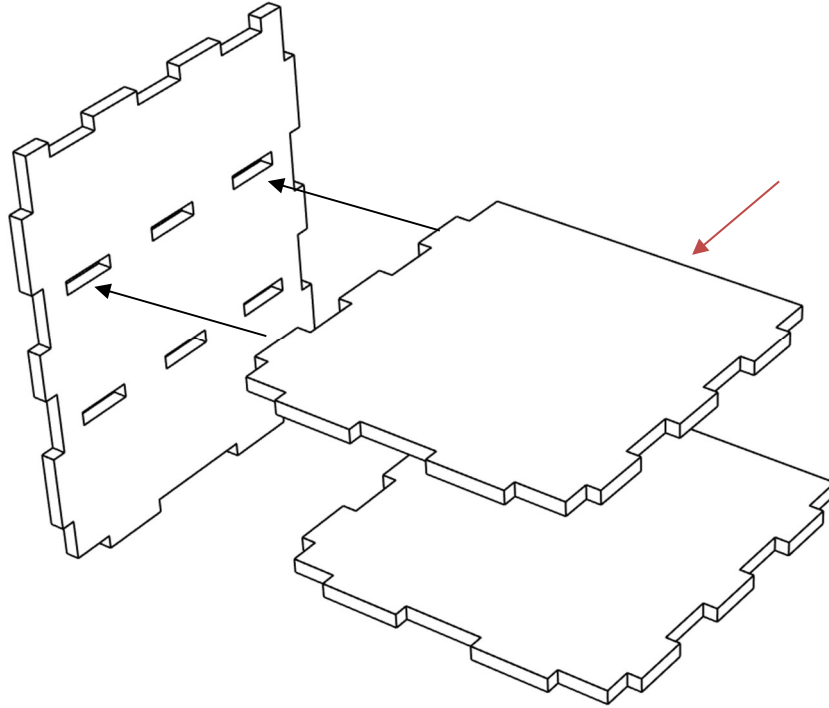


Inside Removable Drawer is now complete.

Inside Storage Drawer Instructions

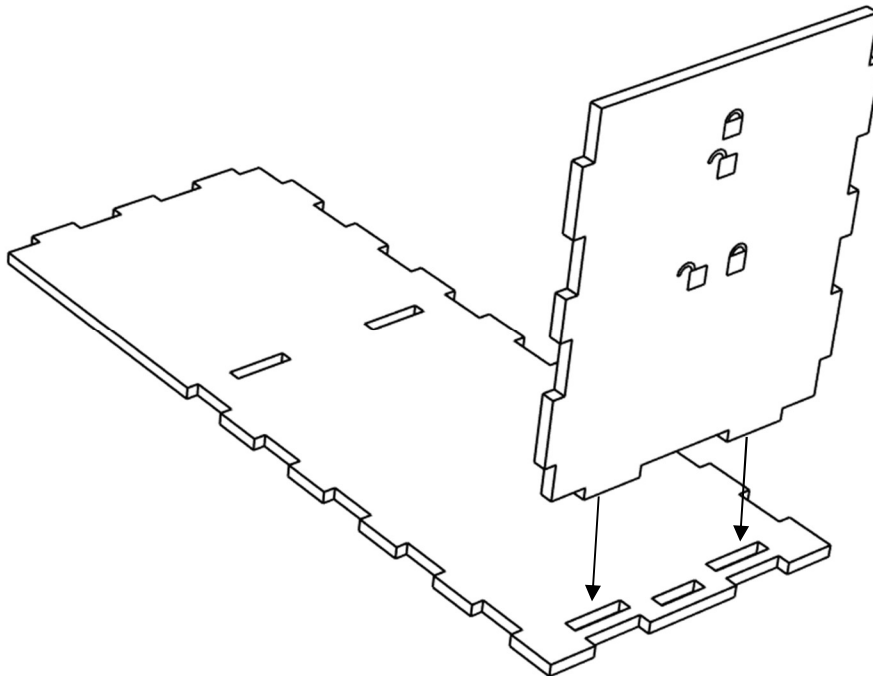
Step 8 (Inside Storage Drawer Pieces):

Attach the two Drawer Holder pieces to the Side Wall piece, making note they are facing the correct way as shown.



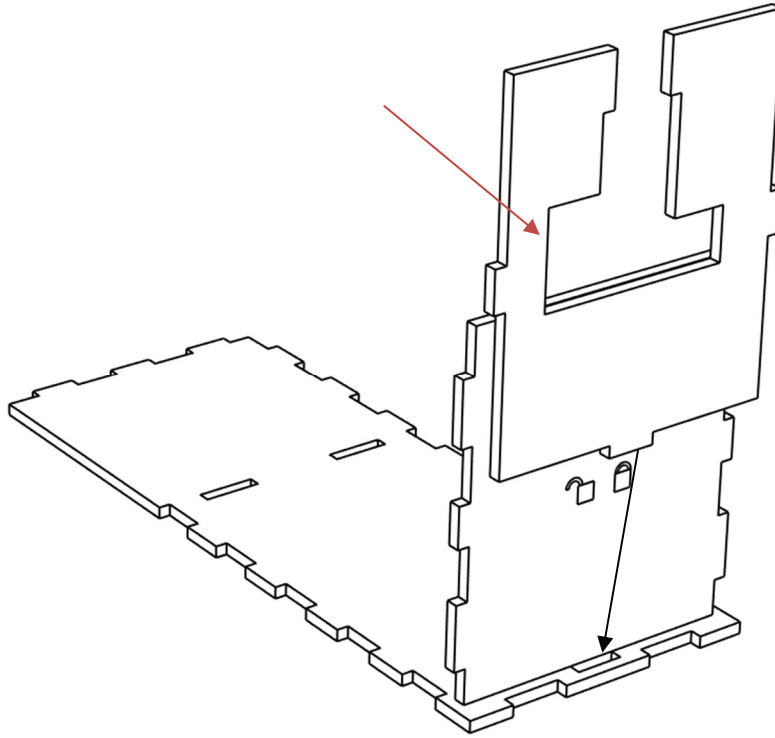
Step 9 (Inside Storage Drawer Pieces):

Attach Lock Wall 1 piece to the Floor piece as shown.



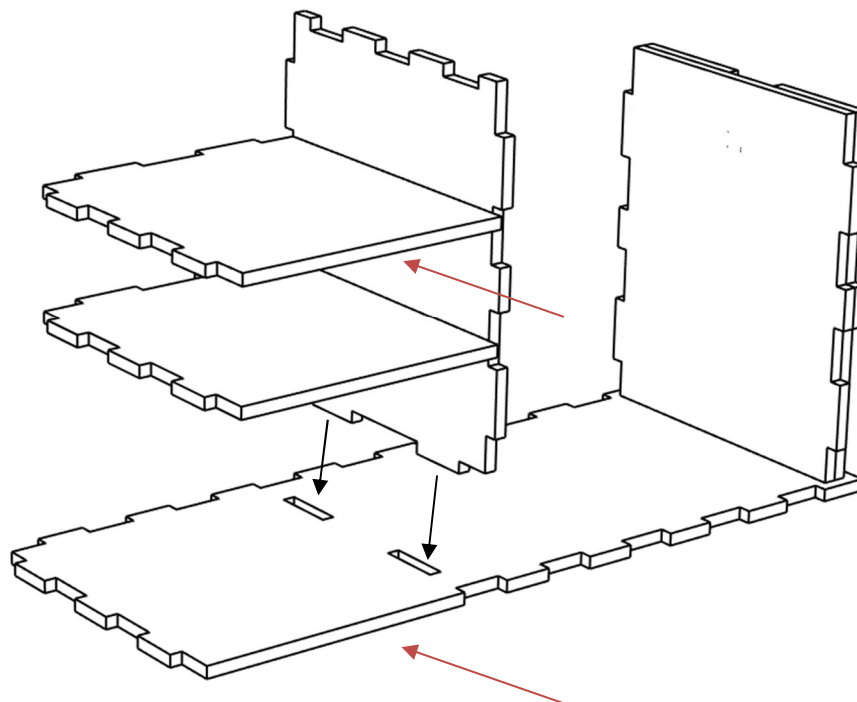
Step 10 (Inside Storage Drawer Pieces):

Attach Lock Wall 2 piece to the Floor piece, making note they are facing the correct way as shown.



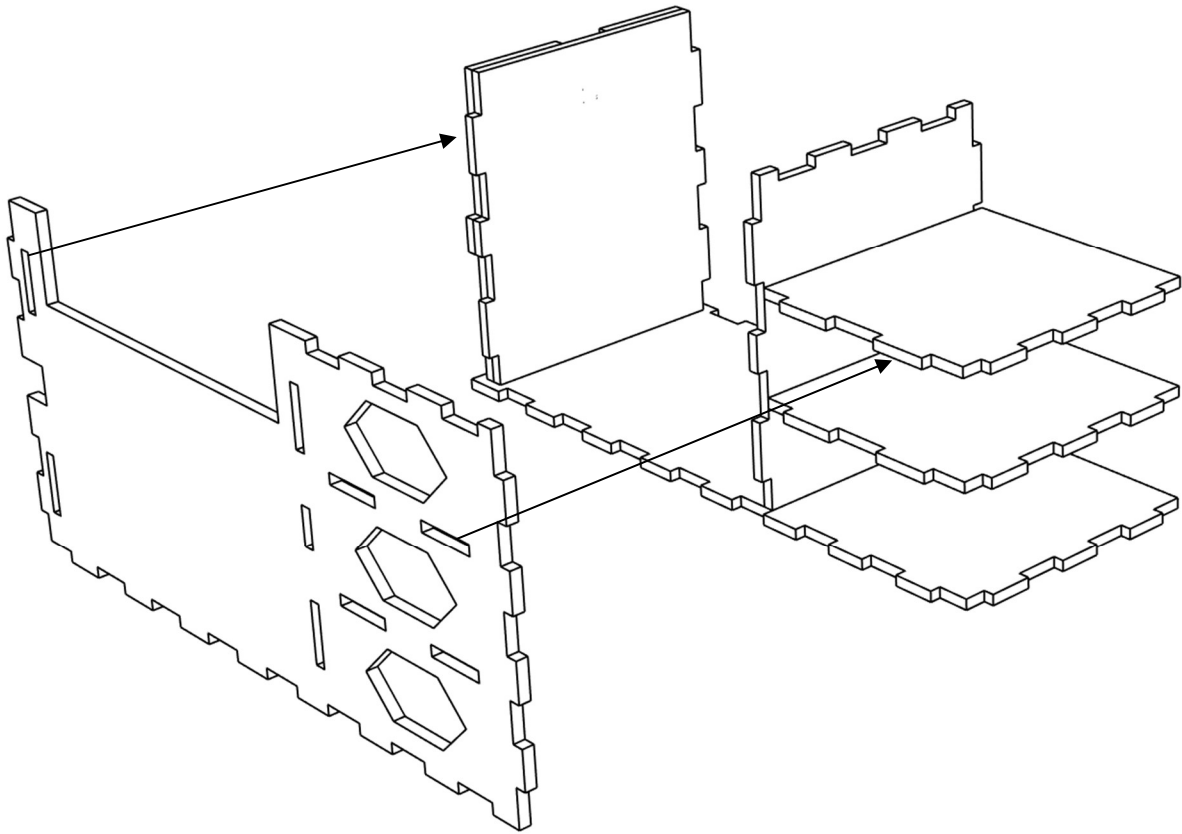
Step 11 (Inside Storage Drawer Pieces):

Attach the Side Wall piece from Step 8 to the Floor piece, making note it is facing the correct way as shown.



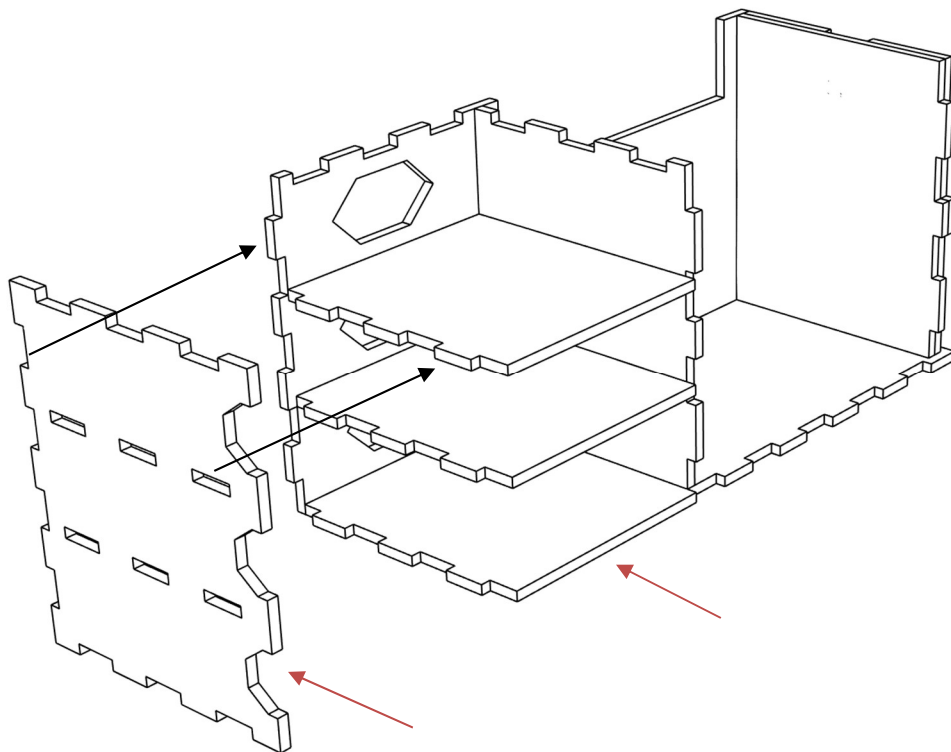
Step 12 (Inside Storage Drawer Pieces):

Attach the Back Wall piece to the Inside Storage Drawer pieces as shown.



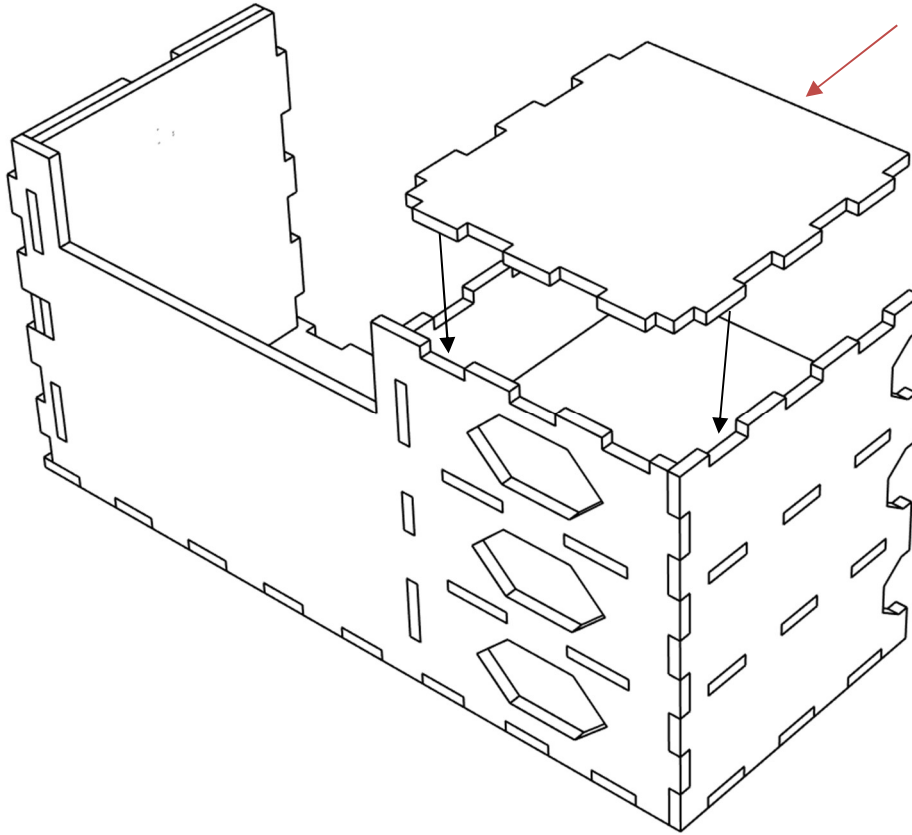
Step 13 (Inside Storage Drawer Pieces):

Attach the Side Wall piece to the Inside Storage Drawer pieces, making note it is facing the correct way as shown.



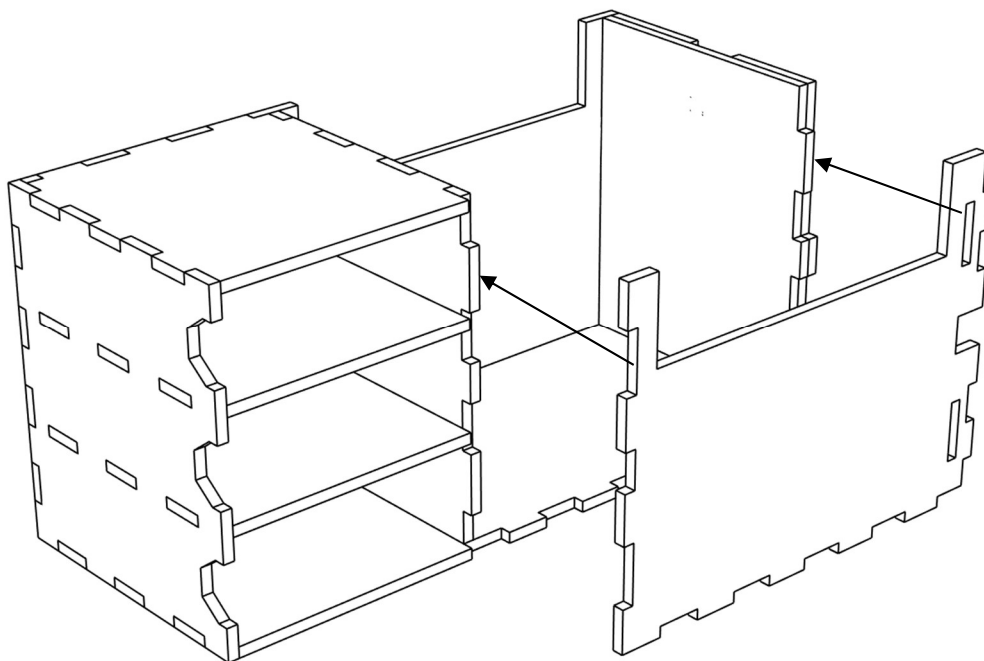
Step 14 (Inside Storage Drawer Pieces):

Attach the Top piece to the Inside Storage Drawer pieces, making note it is facing the correct way as shown.



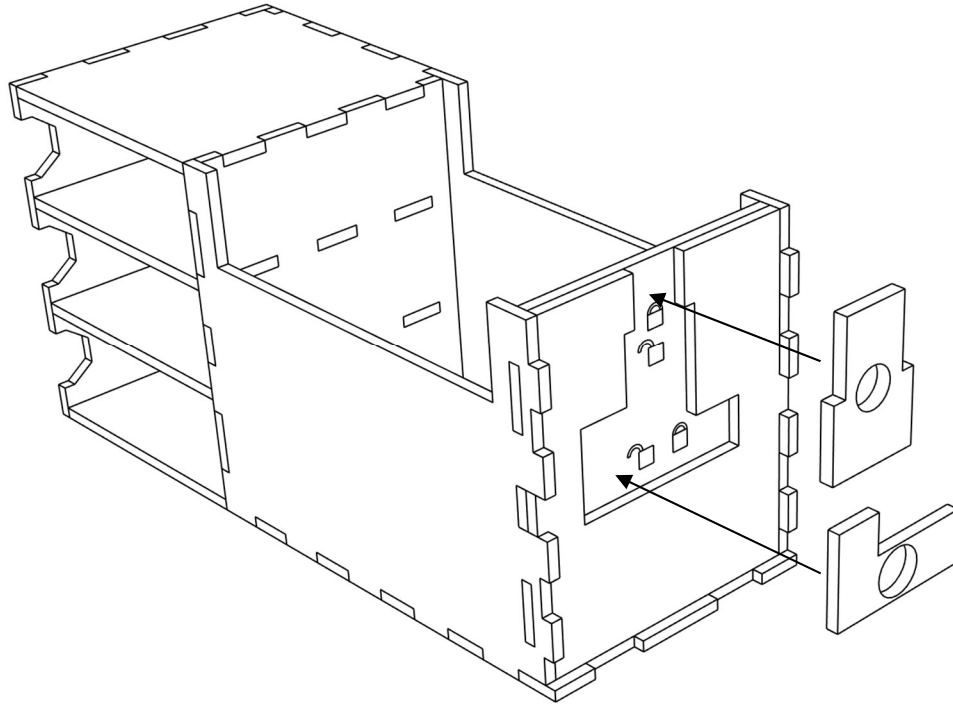
Step 15 (Inside Storage Drawer Pieces):

Attach the Front Wall piece to the Inside Storage Drawer pieces as shown.



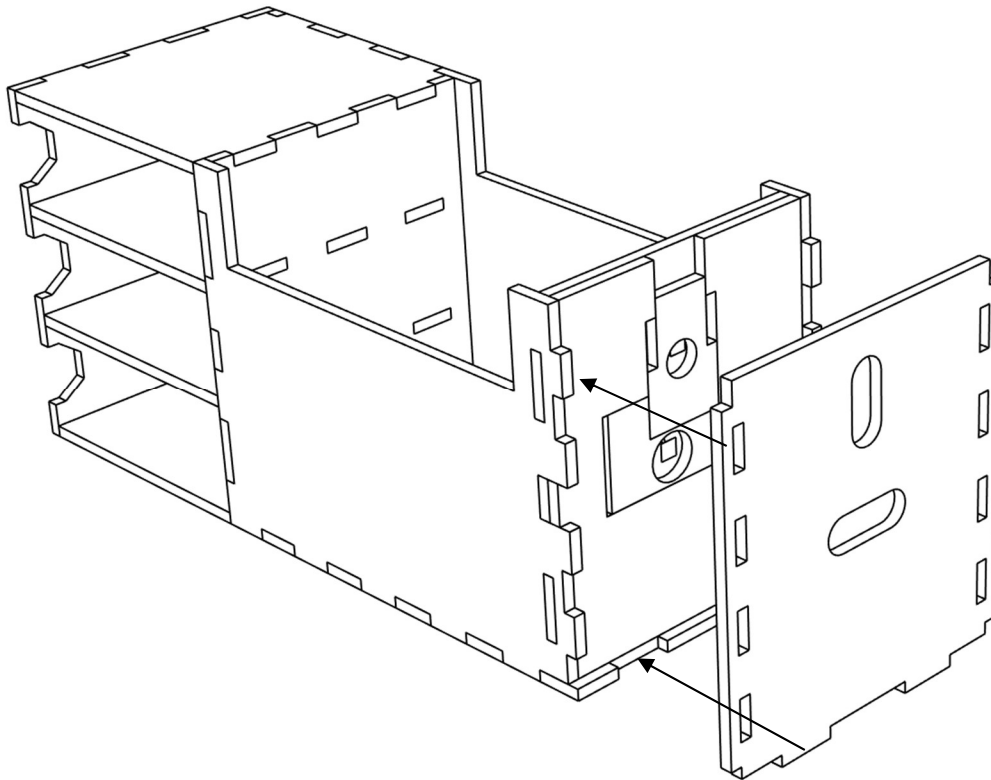
Step 16 (Inside Storage Drawer Pieces):

Place the two Lock pieces on the Lock Wall 2 piece, making note they are facing the correct way as shown.



Step 17 (Inside Storage Drawer Pieces):

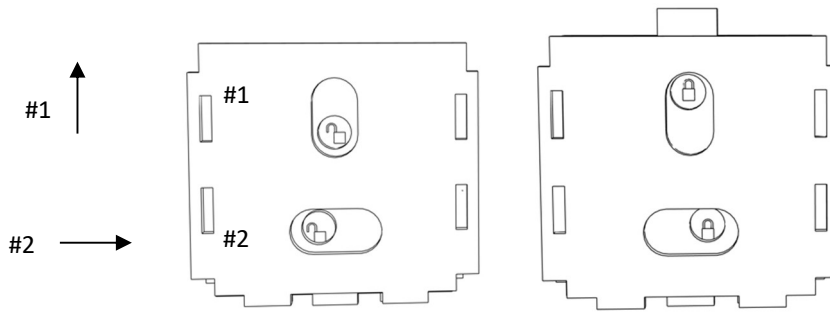
Attach Lock Wall 3 piece to the Inside Storage Drawer pieces, making note they are facing the correct way as shown.



Inside Deck Drawer is now complete.

Step 18 (Locking the Key Forge Game Shell):

To lock the Key Forge Game Shell, slide Inside Drawer into Outside Box, slide top lock up, then slide bottom lock to the right.



Follow us on Instagram and Facebook
[@mysandboxgaming](#)

Use the following link to watch assembly video:
www.mysandboxgaming.com/assembly-instructions

www.mysandboxgaming.com