

# SBCG

## Sand Box Gaming

### **Deck Box with Removable Drawer** Assembly Instructions

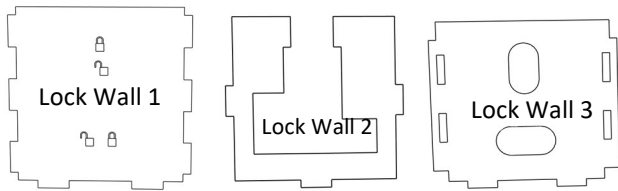
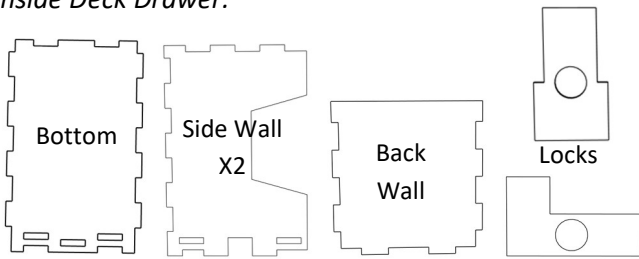


*\*\*This product is intended to be assembled using wood glue to ensure its durability and longevity.*

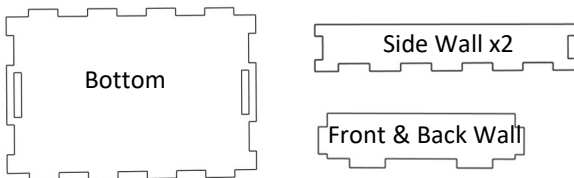
## Step 1:

Separate pieces into their respective piles.

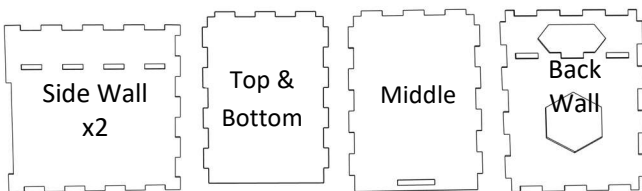
*Inside Deck Drawer:*



*Inside Removable Drawer:*



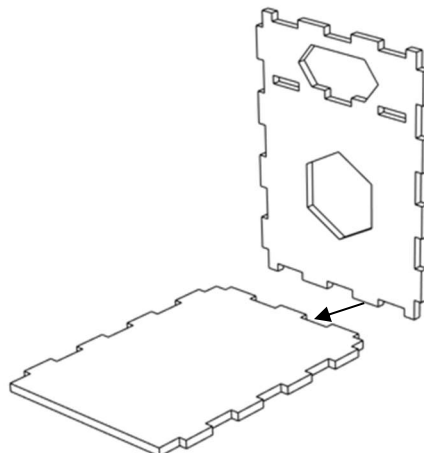
*Outside Box:*



## Outside Box Instructions

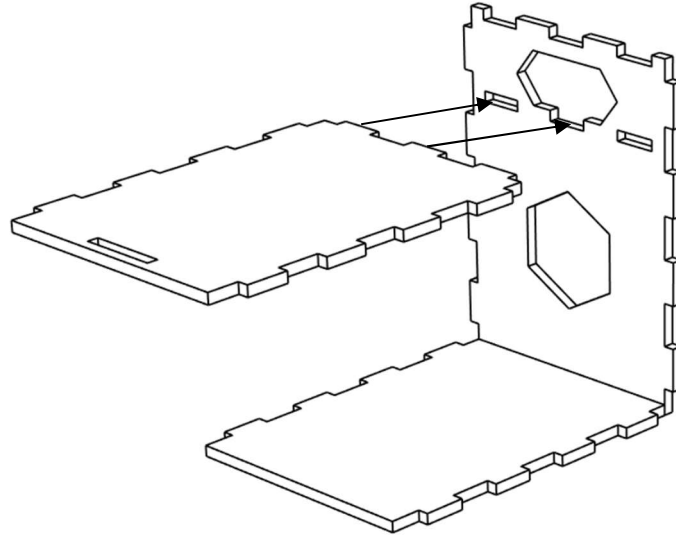
### Step 2 (Outside Box Pieces):

Attach the Back Wall piece to one of the Top & Bottom pieces as shown.



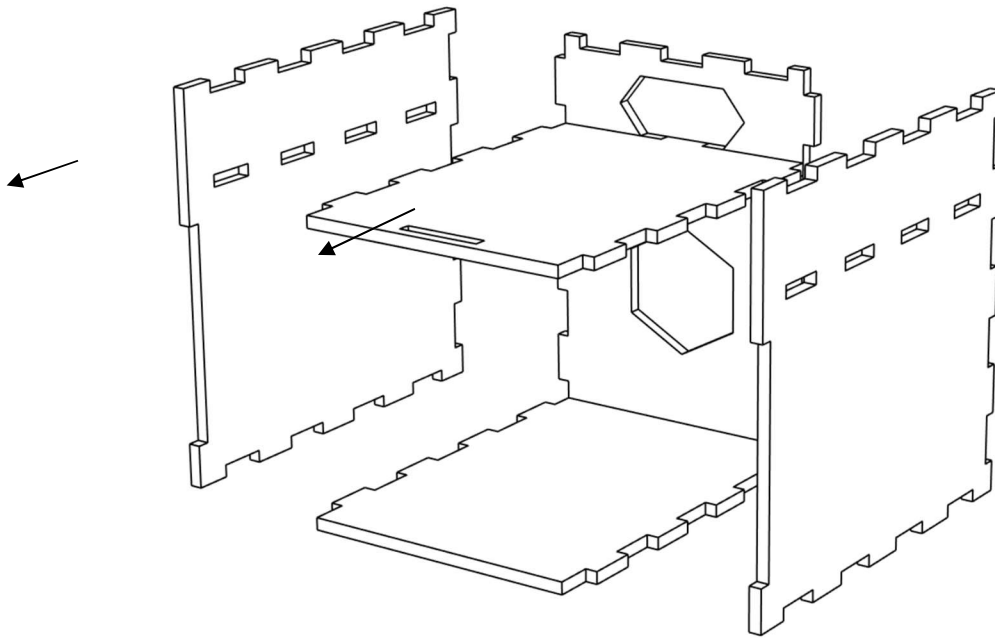
### Step 3 (Outside Box Pieces):

Attach the Middle piece to the Back Wall piece as shown.



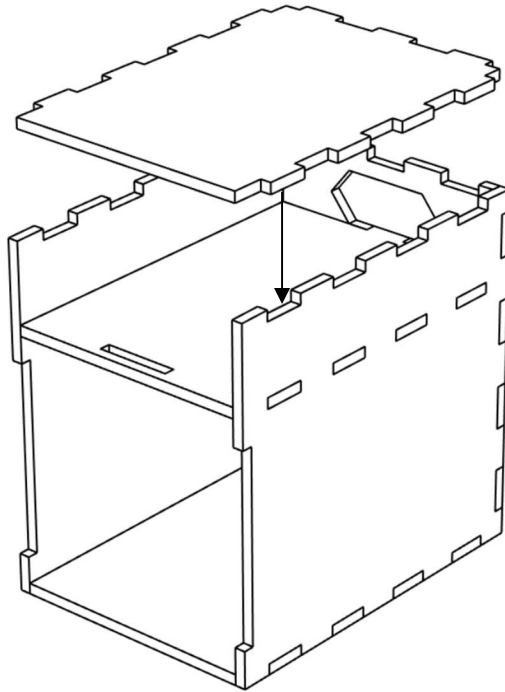
### Step 4 (Outside Box Pieces):

Attach the two Side Wall pieces, making note they are facing the correct way as shown.



### Step 5 (Outside Box Pieces):

Attach the Top piece to the two Side Wall and Back pieces as shown.

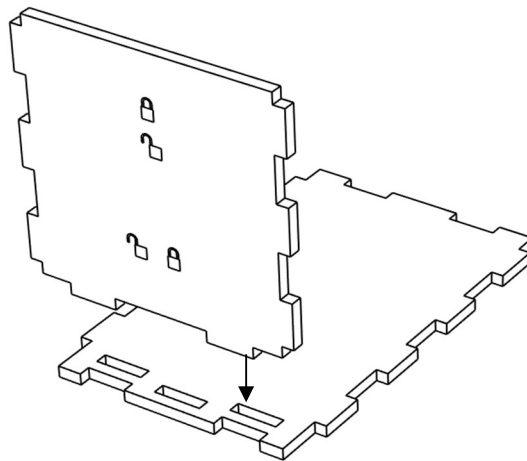


**Outside Box is now complete.**

### Inside Deck Drawer Instructions

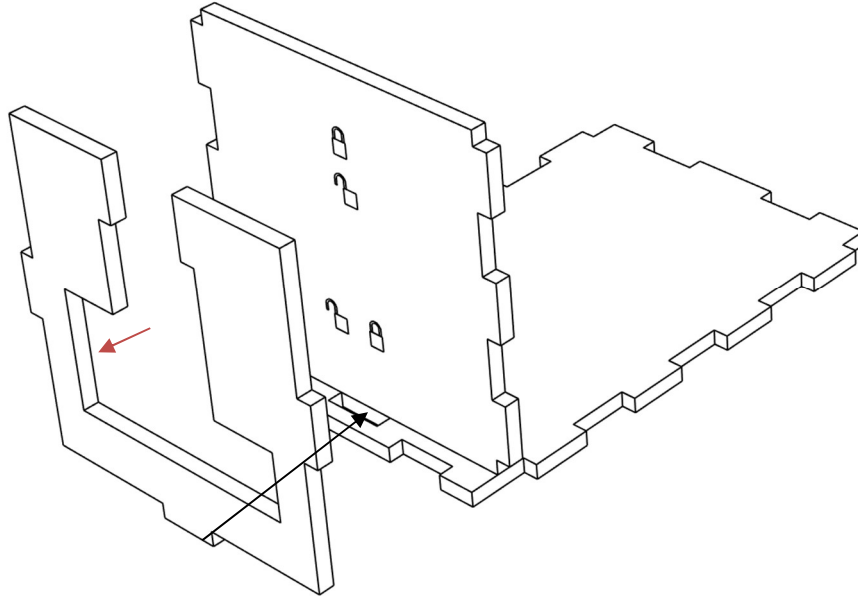
### Step 6 (Inside Deck Drawer Pieces):

Attach Lock Wall 1 piece to Bottom piece as shown.



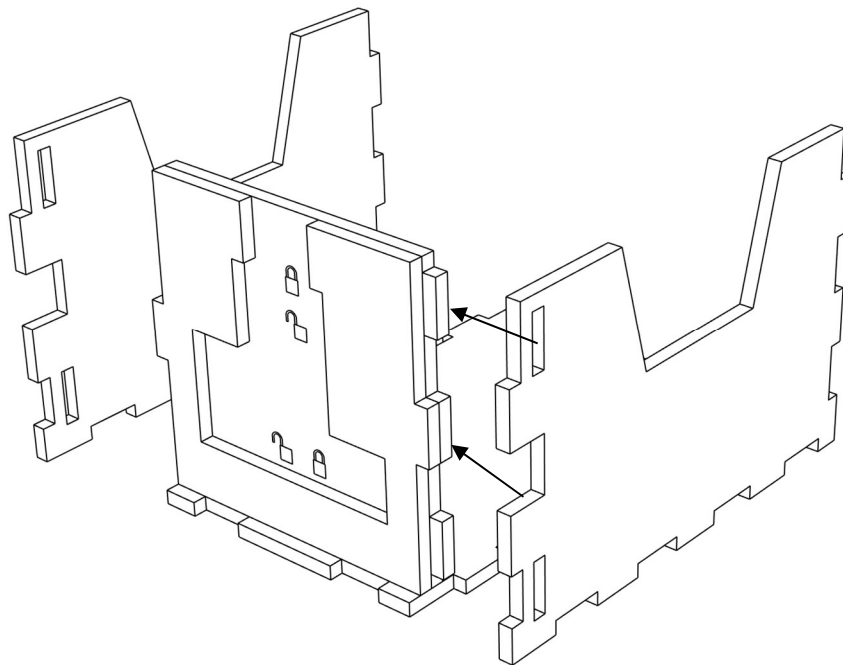
### Step 7 (Inside Deck Drawer Pieces):

Attach Lock Wall 2 piece to Bottom piece as shown. **Note direction of Lock Wall 2 piece (inside taller on left).**



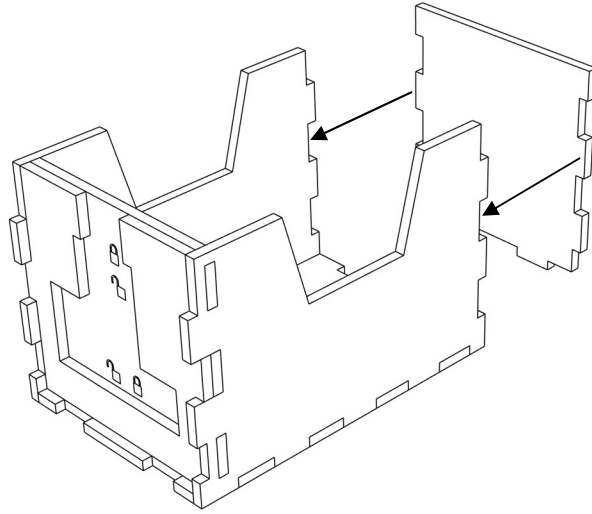
### Step 8 (Inside Deck Drawer Pieces):

Attach the Side Wall pieces to Lock Walls 1 & 2 and Bottom pieces, making note they are facing the correct way as shown.



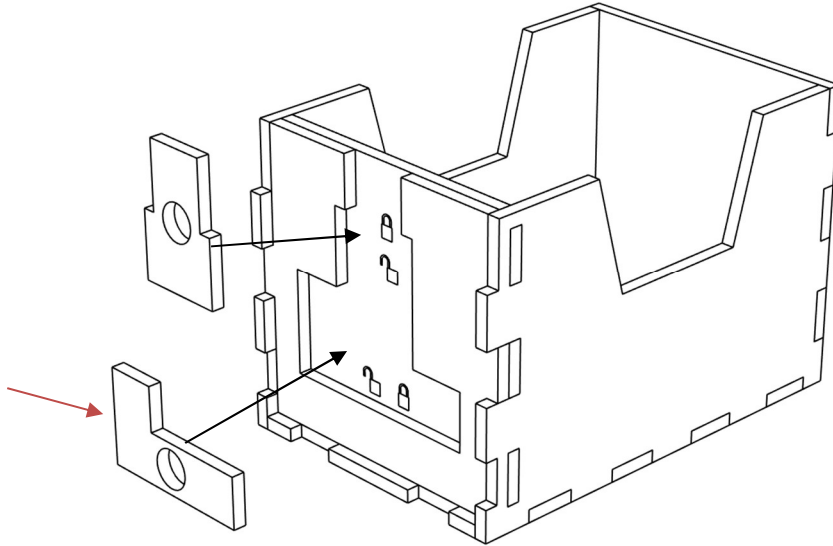
### Step 9 (Inside Deck Drawer Pieces):

Attach the Back Wall piece to the Side Wall and Bottom pieces as shown.



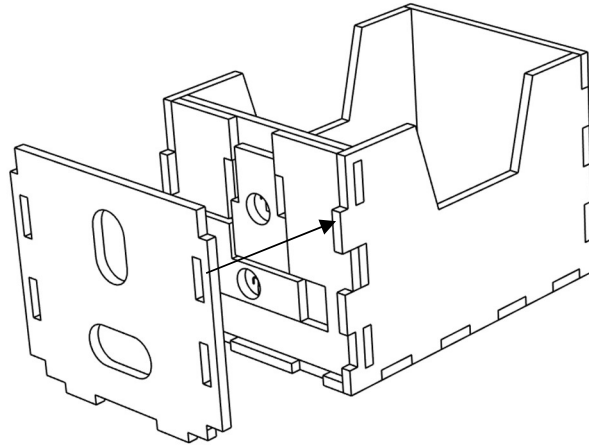
### Step 10 (Inside Deck Drawer Pieces):

Place the two Lock pieces on the Lock Wall 2 piece, making note they are facing the correct way as shown.



### Step 11 (Inside Deck Drawer Pieces):

Attach Lock Wall 3 piece to the Side Wall and Bottom pieces as shown.

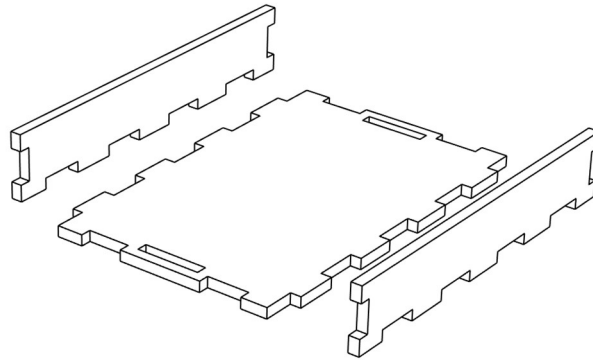


**Inside Deck Drawer is now complete.**

### Inside Removable Drawer Instructions

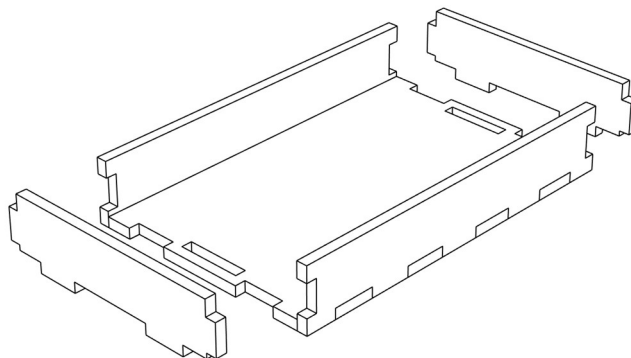
### Step 12 (Inside Removable Drawer Pieces):

Attach the Side Wall pieces to the Bottom piece as shown.



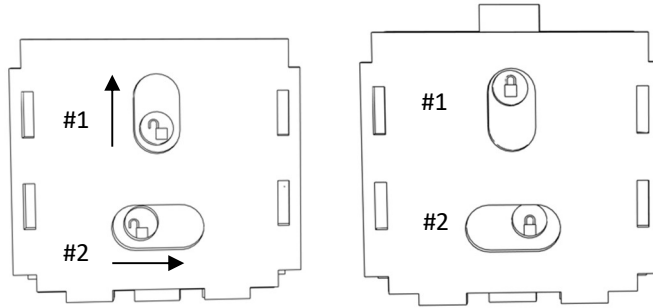
### Step 13 (Inside Removable Drawer Pieces):

Attach the Front and Back Wall pieces to the Bottom and Side Wall pieces as shown.



## Step 14 (Locking the Deck Box):

To lock Deck Box, slide top lock up, then slide bottom lock to the right.



Follow us on Instagram and Facebook  
[@mysandboxgaming](#)

Use the following link to watch assembly video:  
[www.mysandboxgaming.com/assembly-instructions](http://www.mysandboxgaming.com/assembly-instructions)



[www.mysandboxgaming.com](http://www.mysandboxgaming.com)